

Broil King®



Broil King
CROWN 420
8652-52
8652-53



Broil King
CROWN S 420
8653-52
8653-53



Broil King
CROWN 440
8652-62
8652-63



Broil King
CROWN S 440
8653-62
8653-63




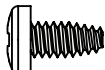
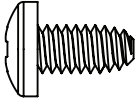
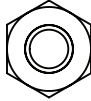
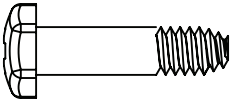
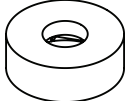
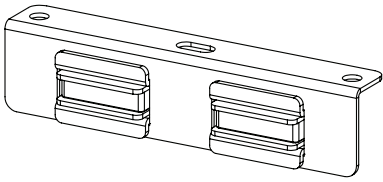
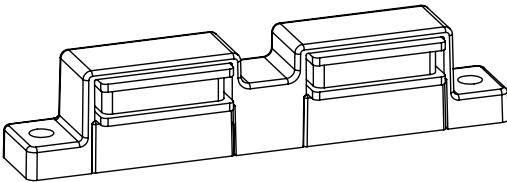
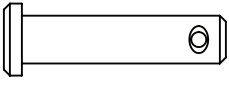
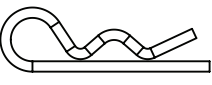
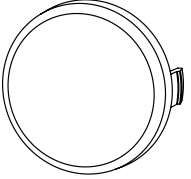
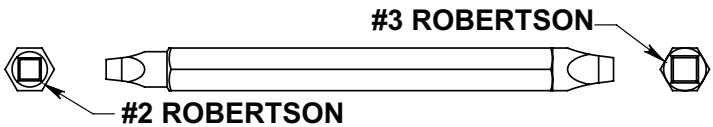
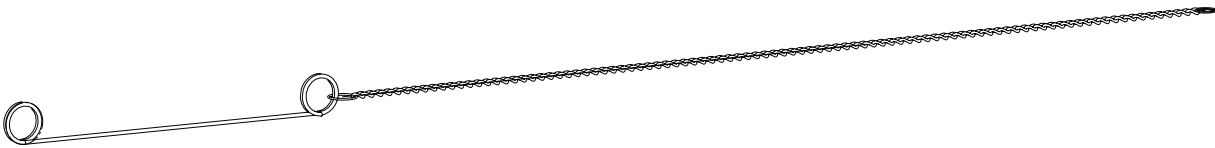
Broil King
CROWN 490
8652-82
8652-83



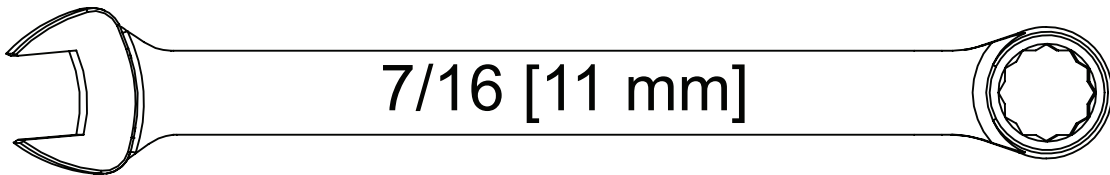
Broil King
CROWN S 490
8653-82
8653-83



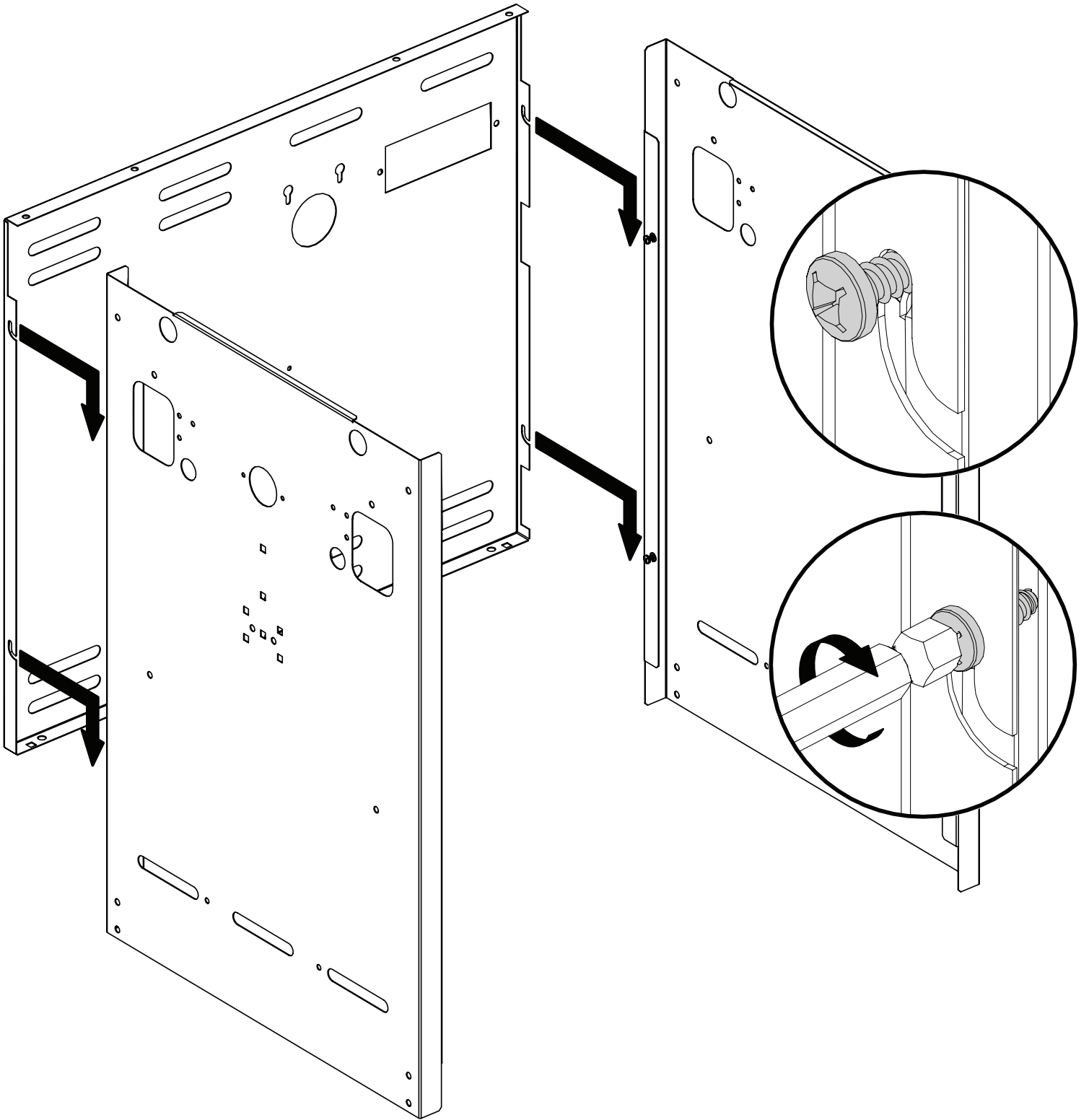
HARDWARE INCLUDED

S21124		(4)	Y-29304		(2)
Y-12865		(22)	Y-11793		(4)
Y-11551		(2)	Y-12124		(2)
56039-214A		(1)	Y-12229		(1)
S21235		(2)	S21233		(2)
32001-151		(4)	 <p style="text-align: center;">#3 ROBERTSON</p> <p style="text-align: center;">#2 ROBERTSON</p>		
20005-000					(1)

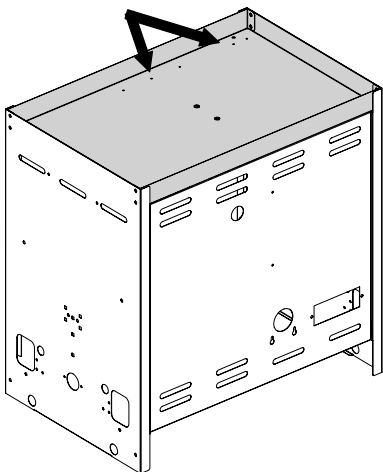
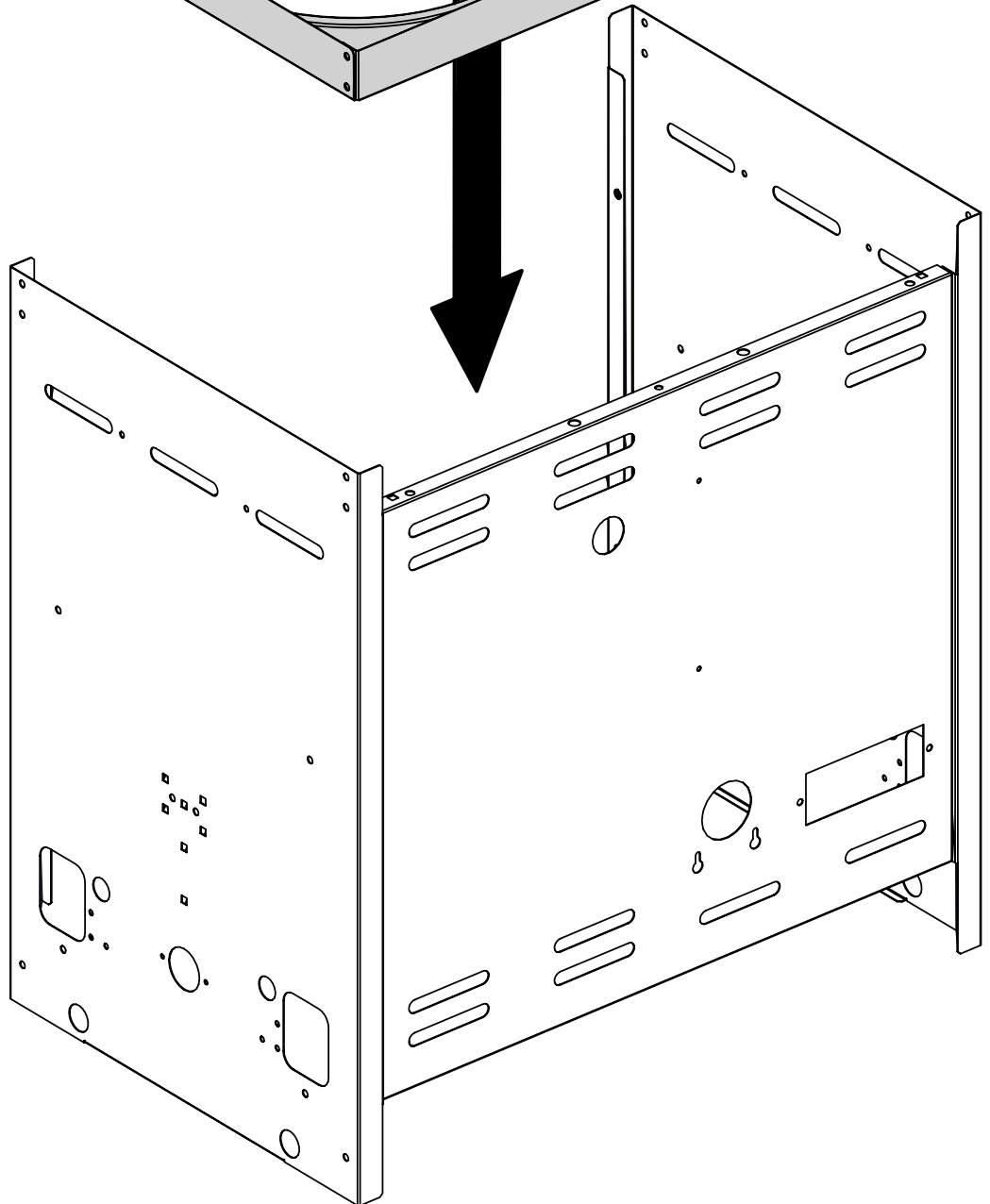
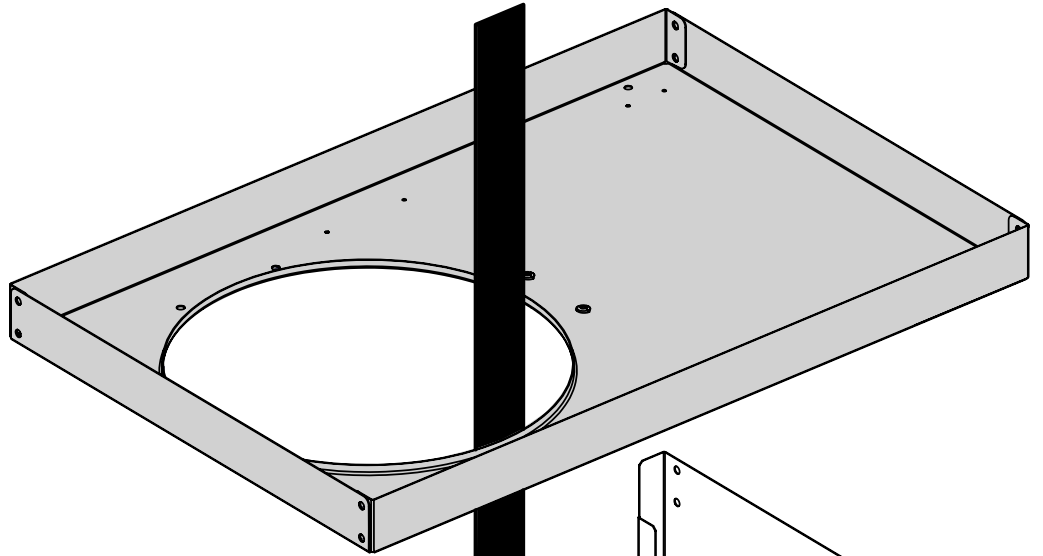
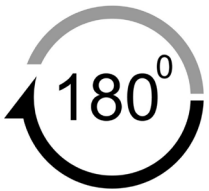
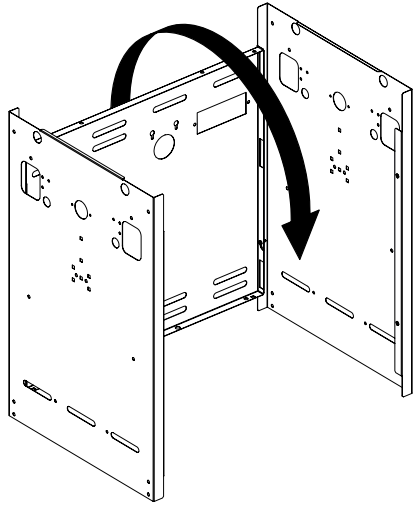
TOOLS REQUIRED



1

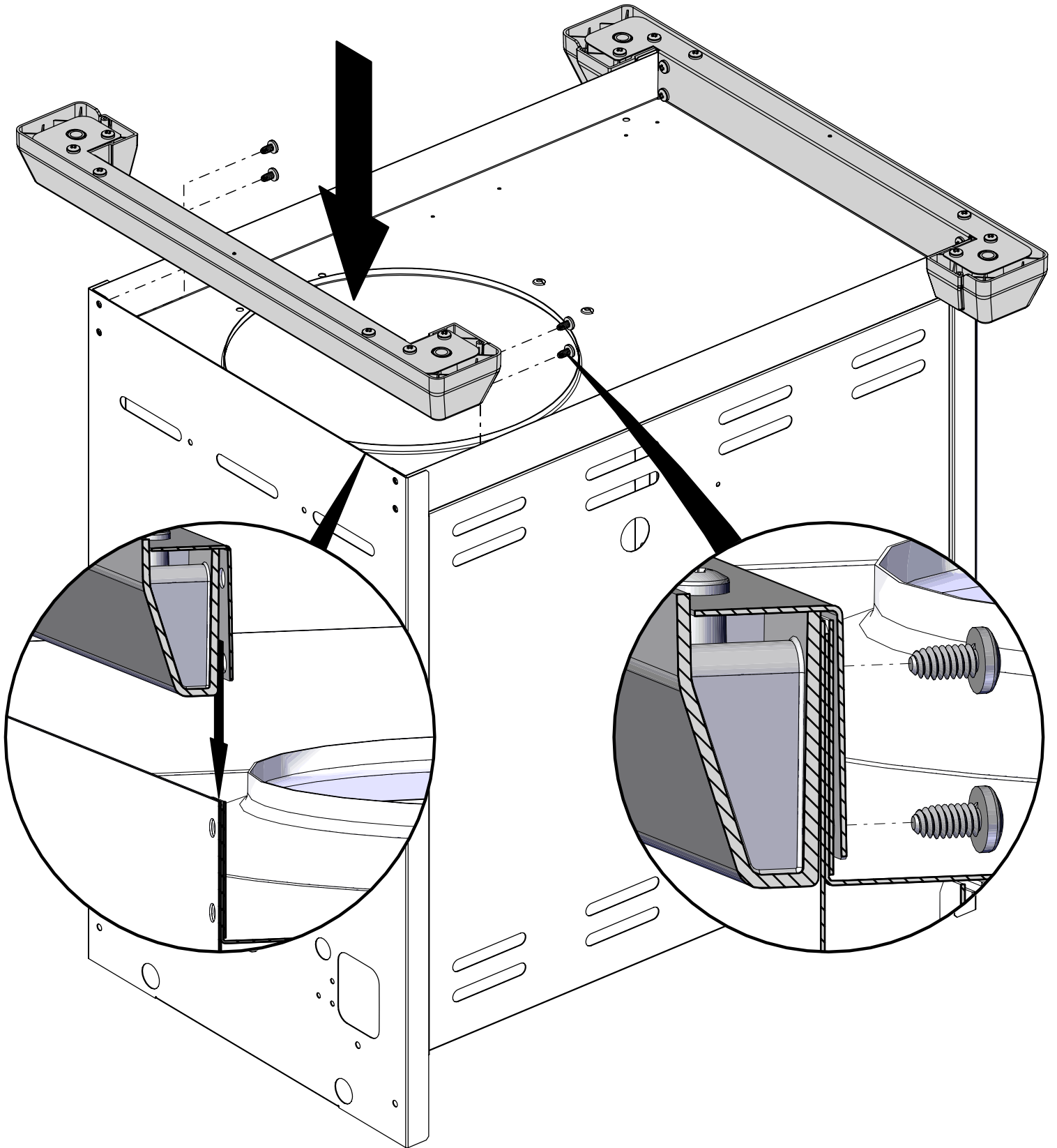
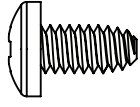


2

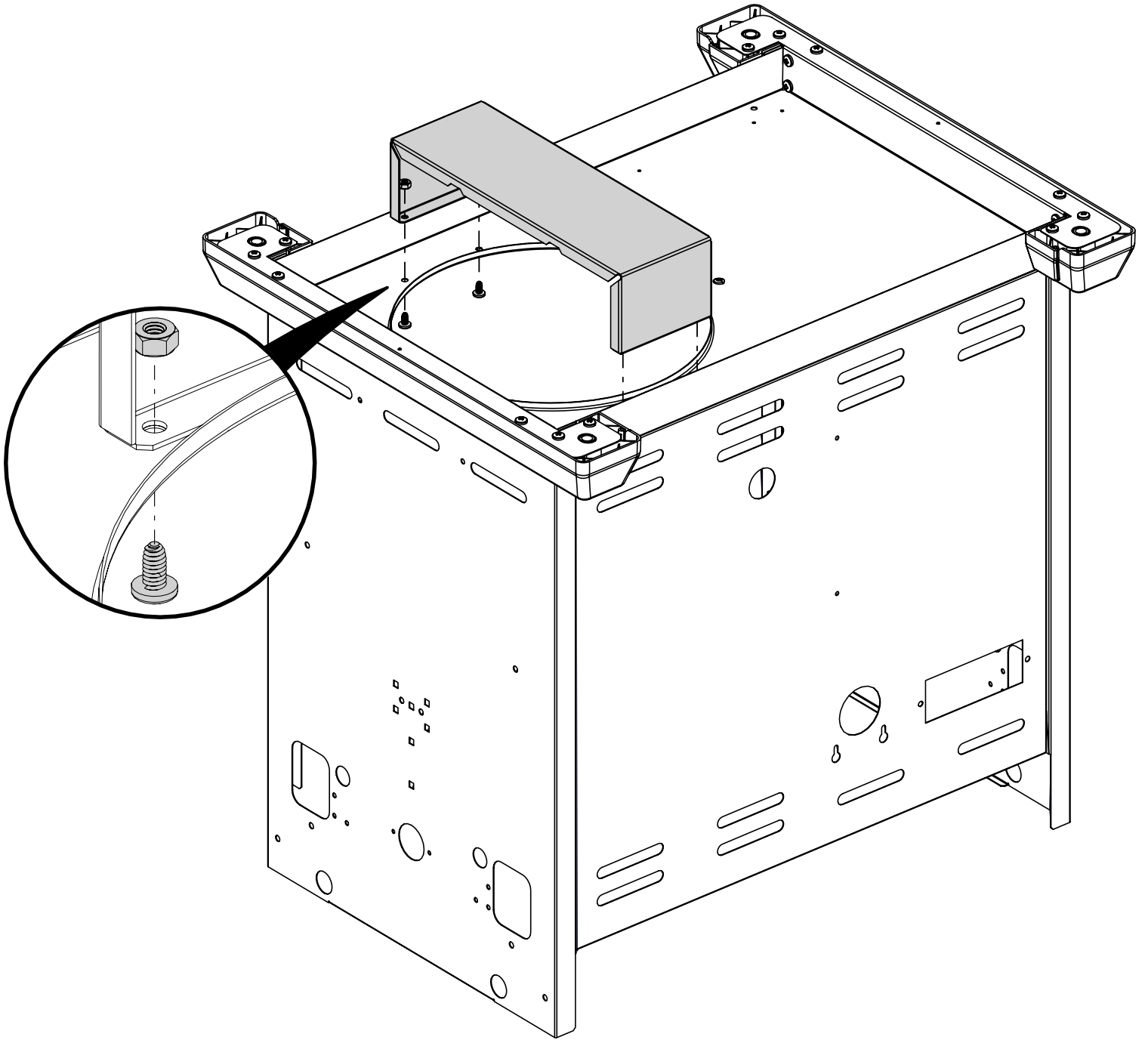
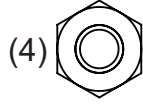
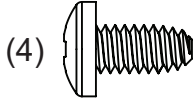


3

(8)

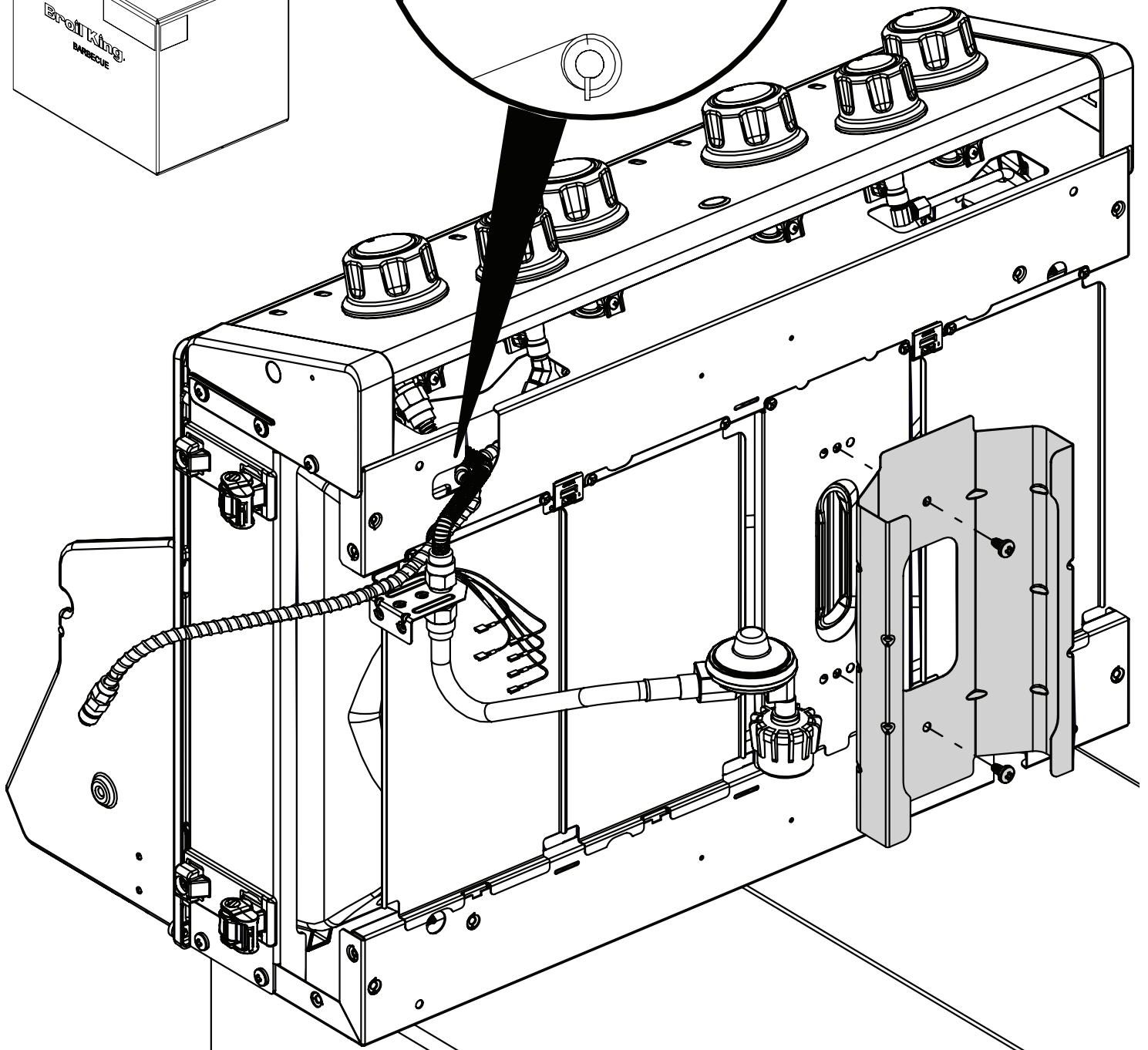
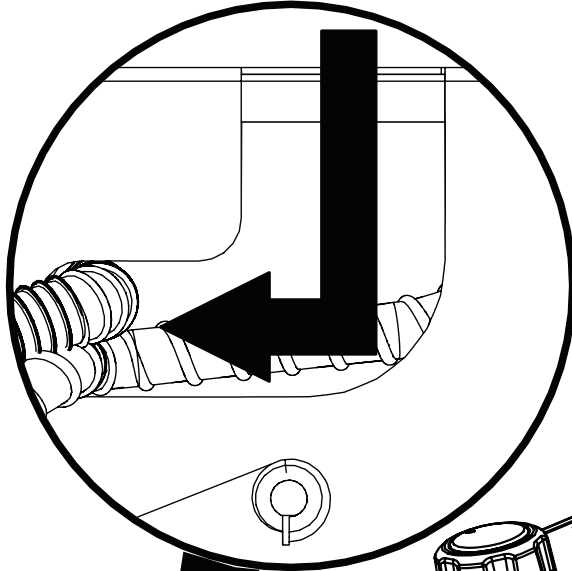
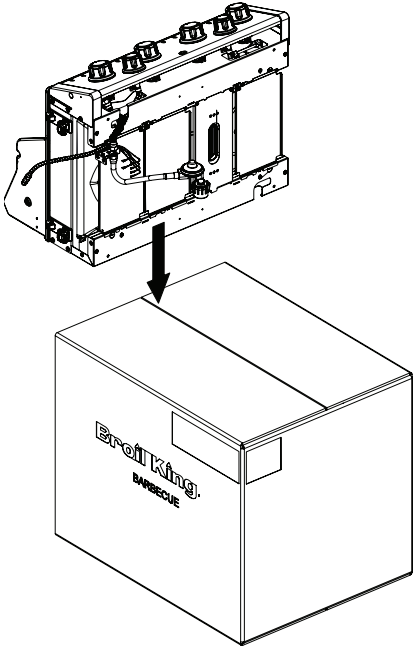
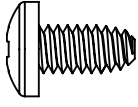


4



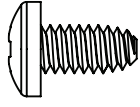
5

(2)

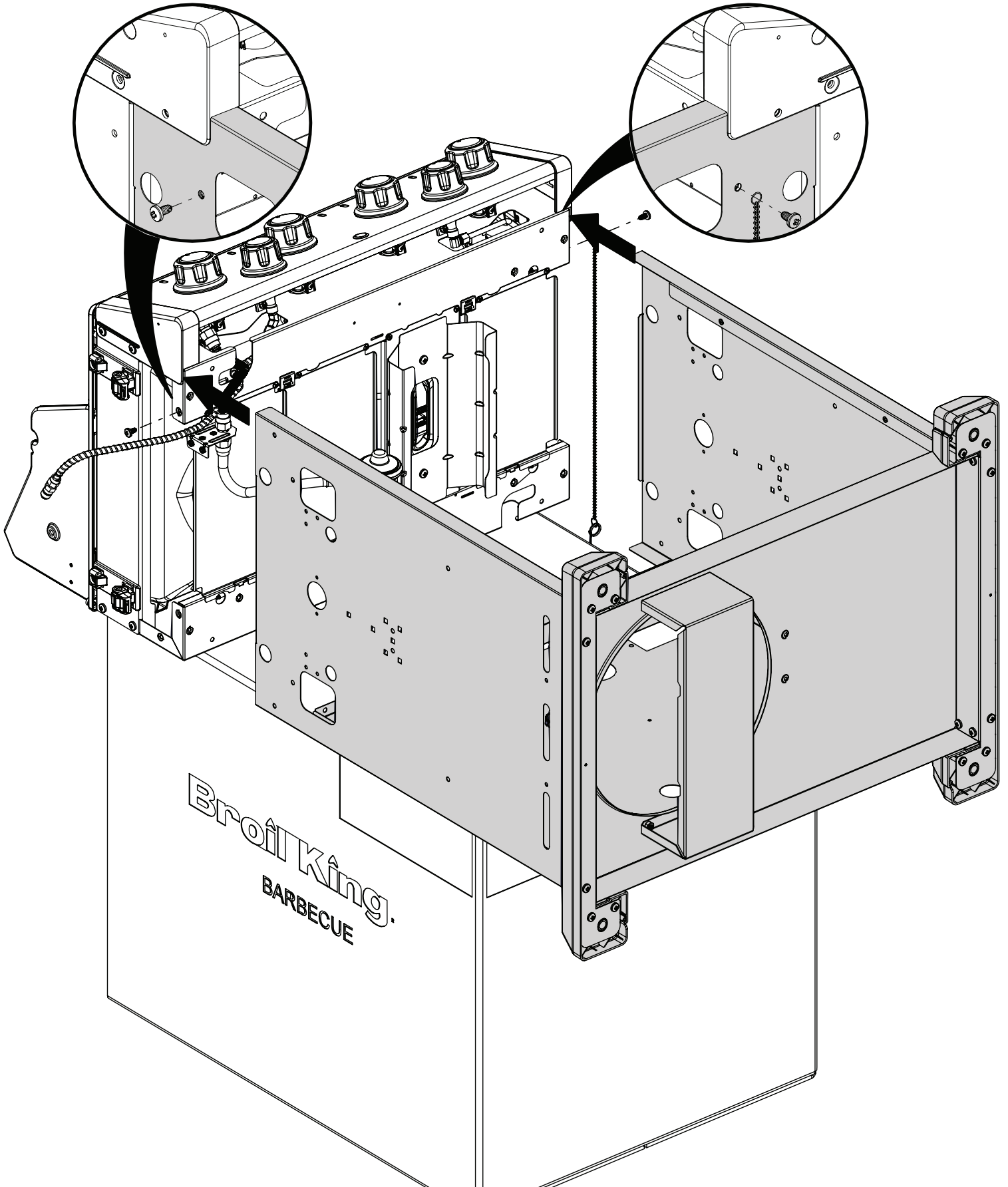


6

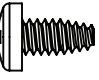
(2)

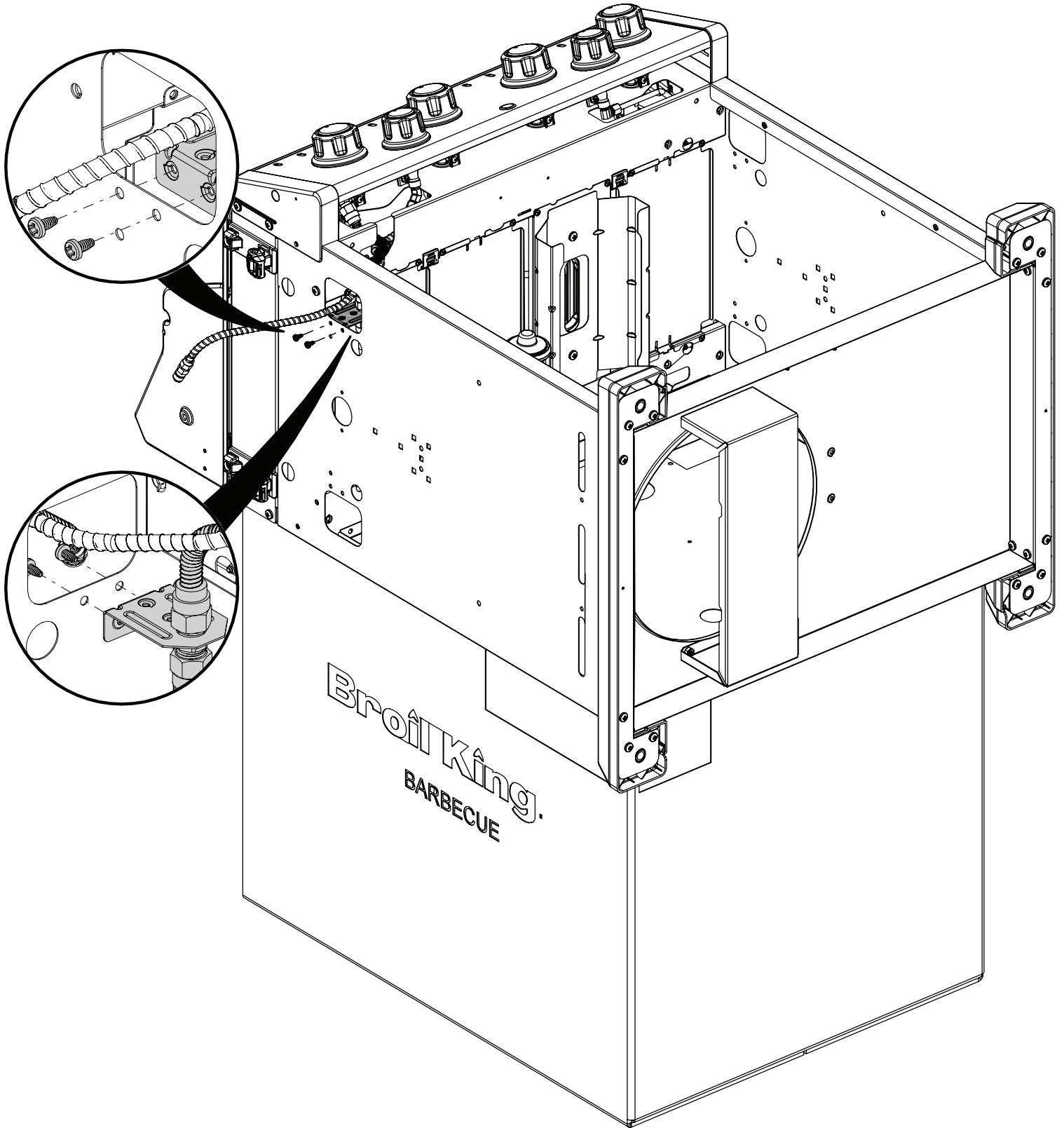


(1)

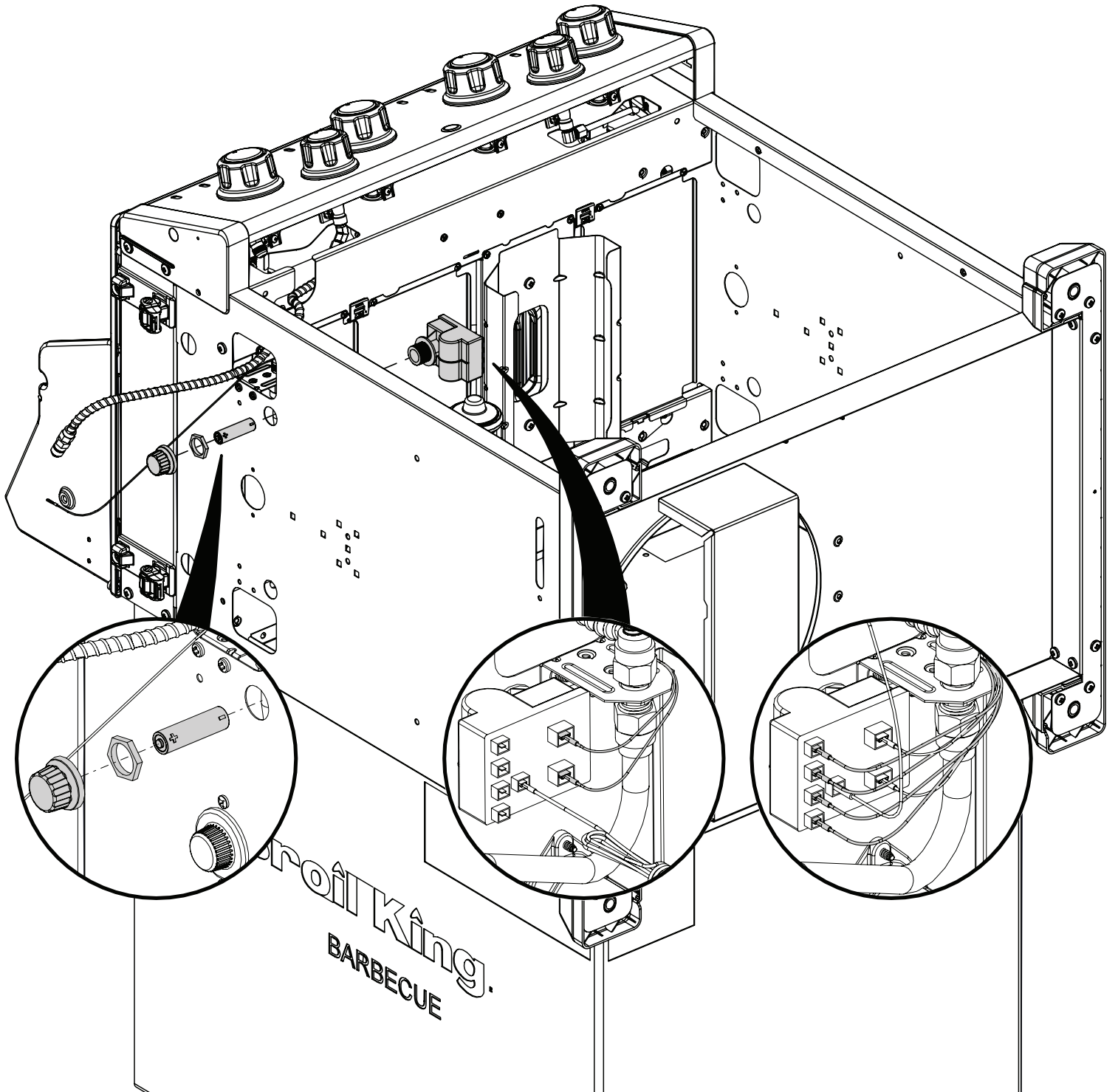
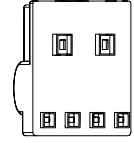
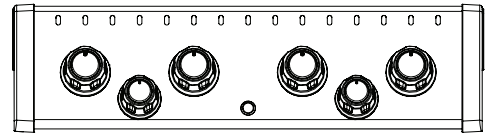
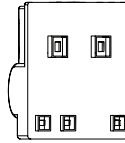
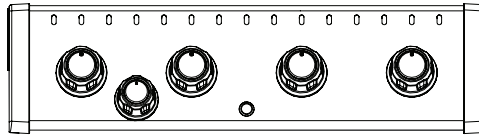
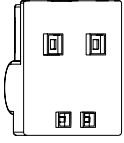
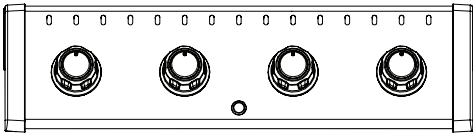


7

(2) 



8

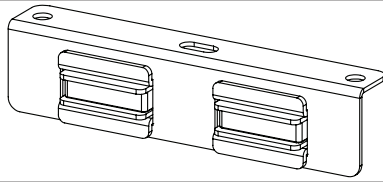


Proil King.
BARBECUE

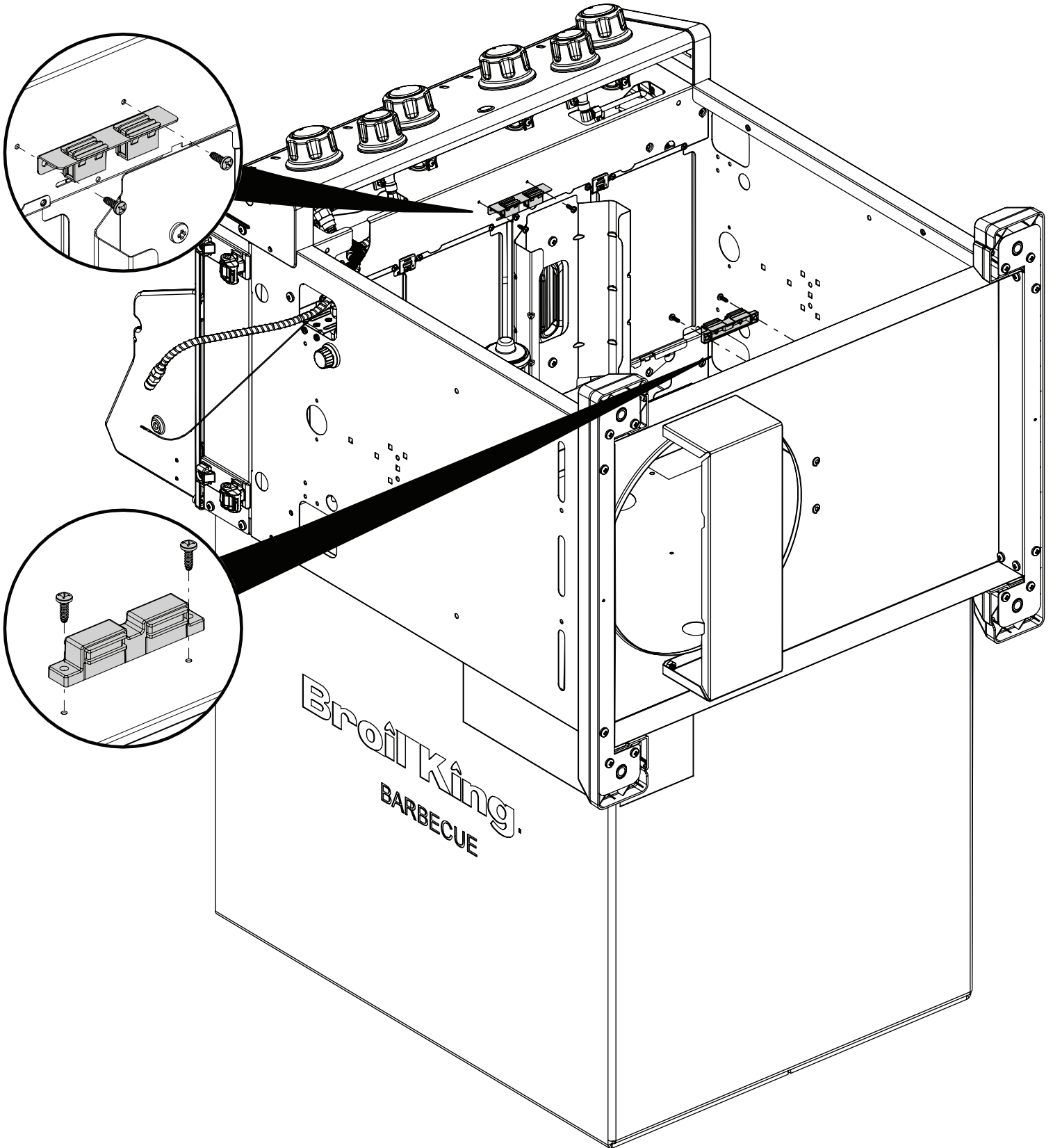
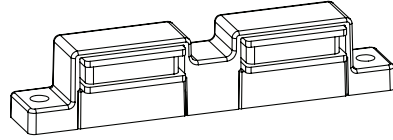
9

(4) 

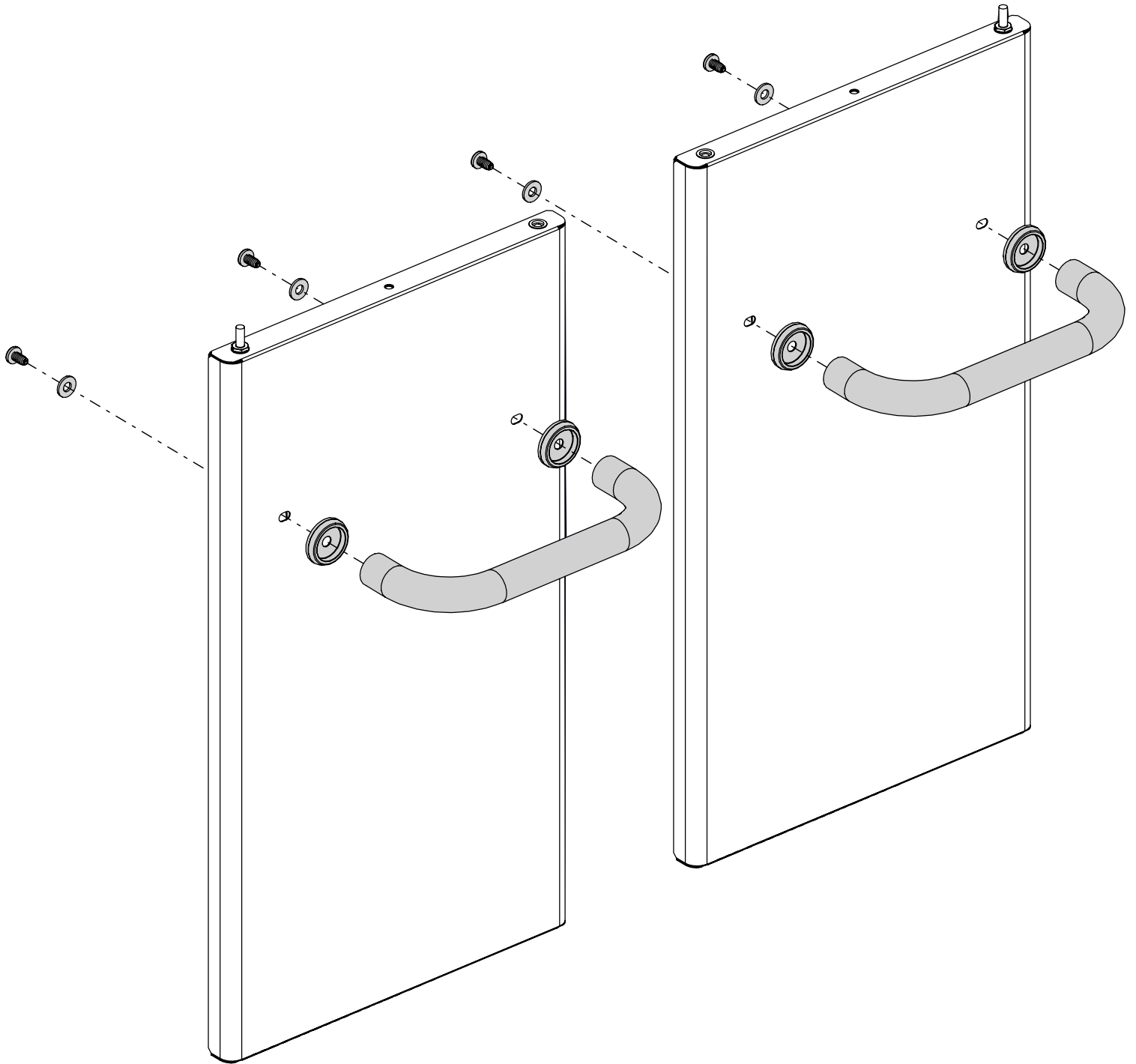
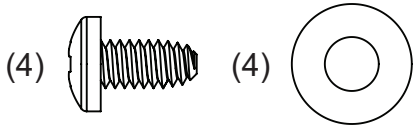
(1)



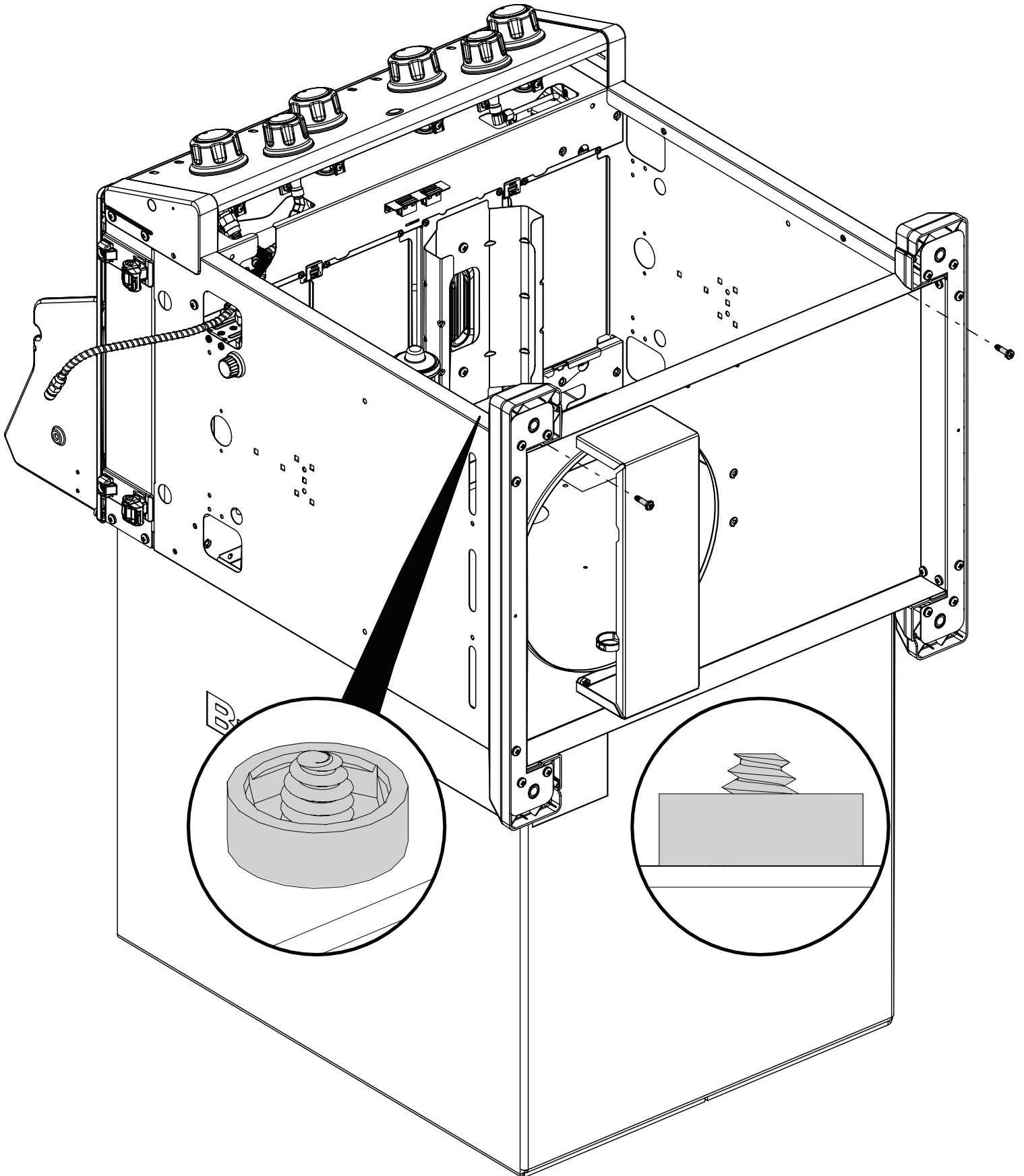
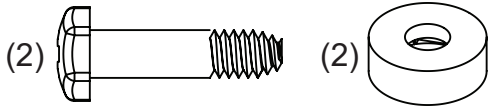
(1)

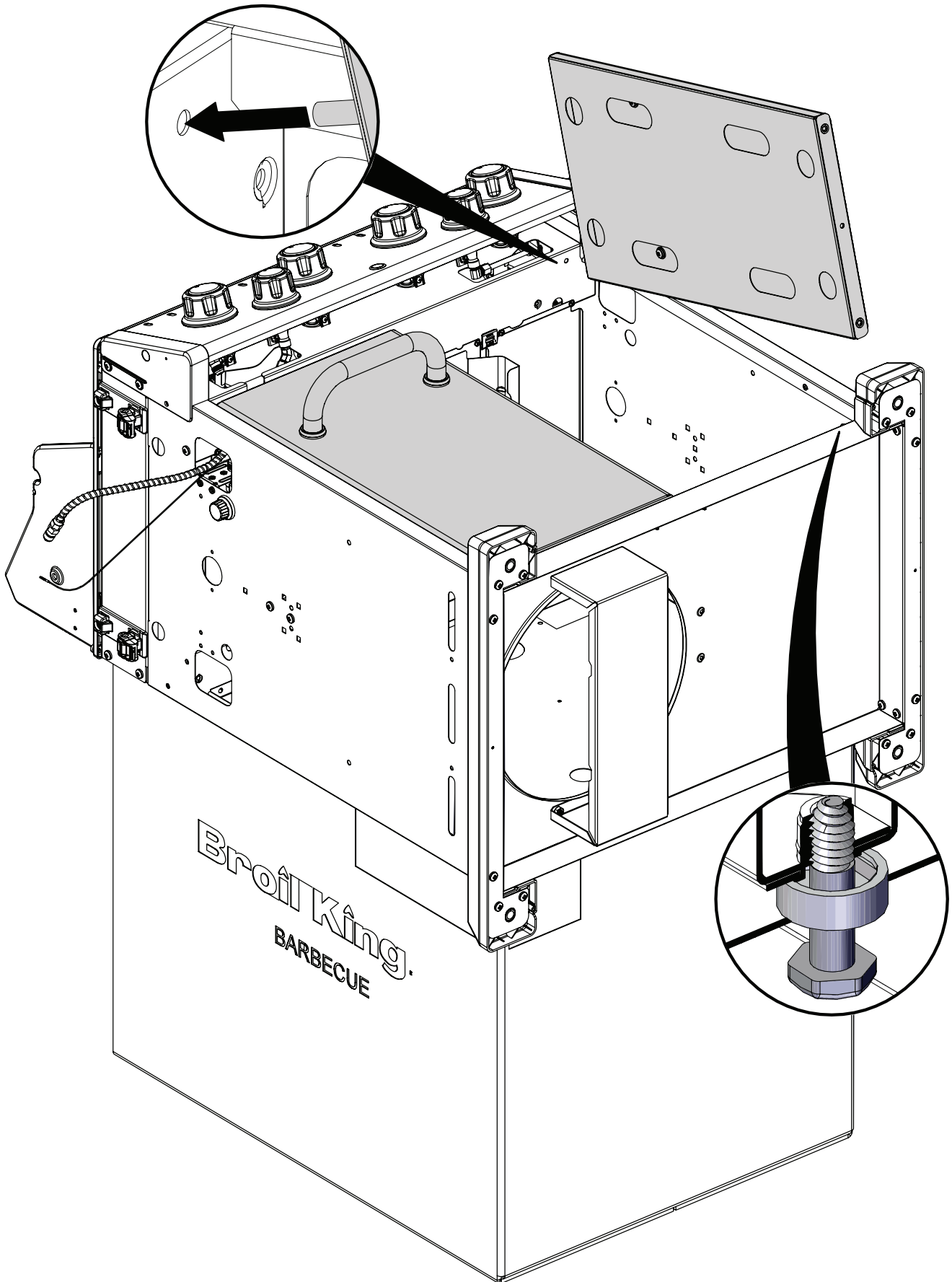


10



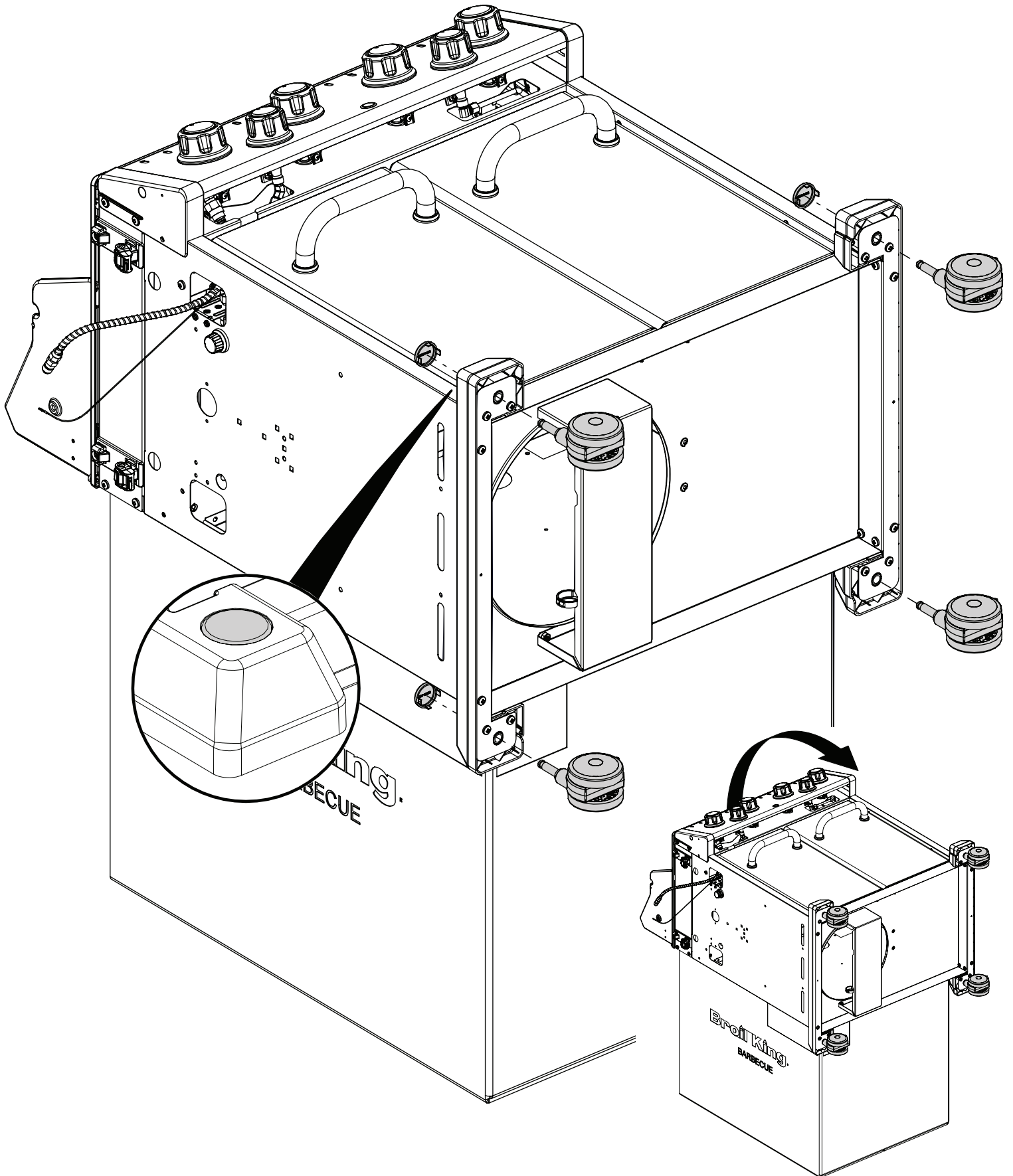
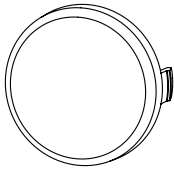
11





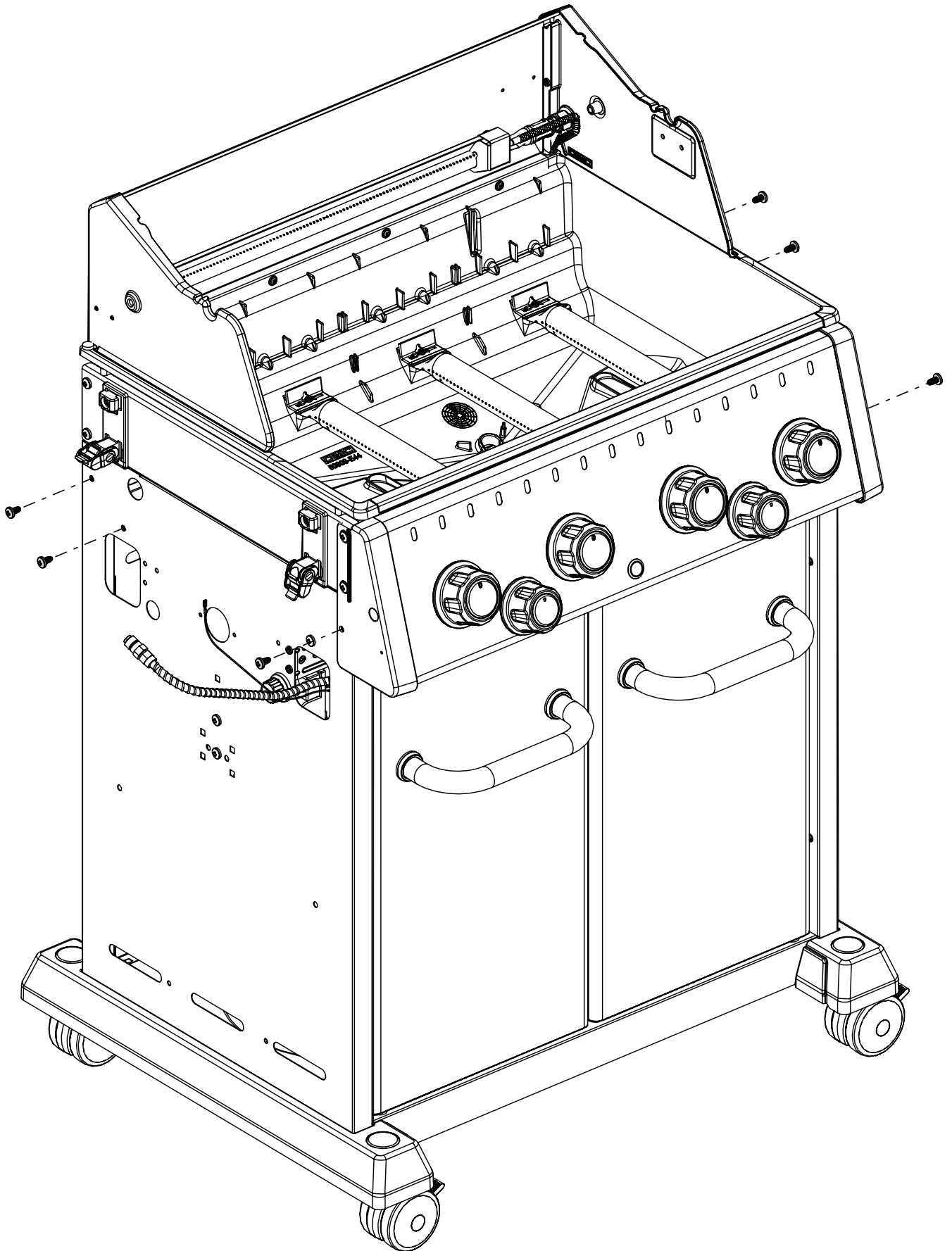
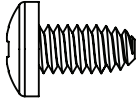
13

(4)

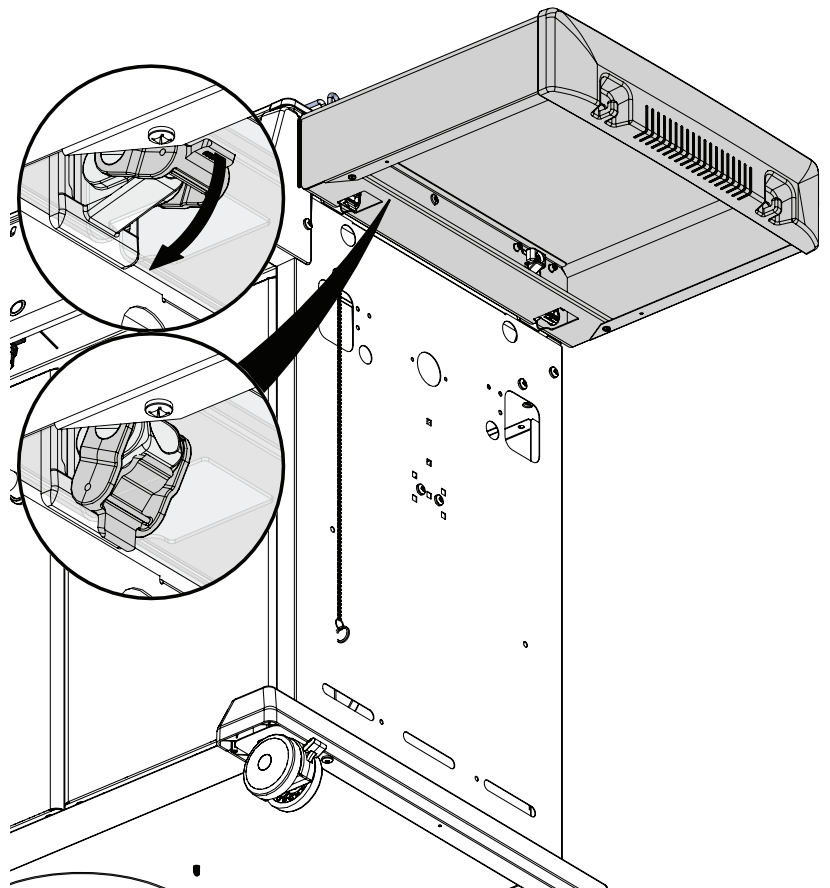
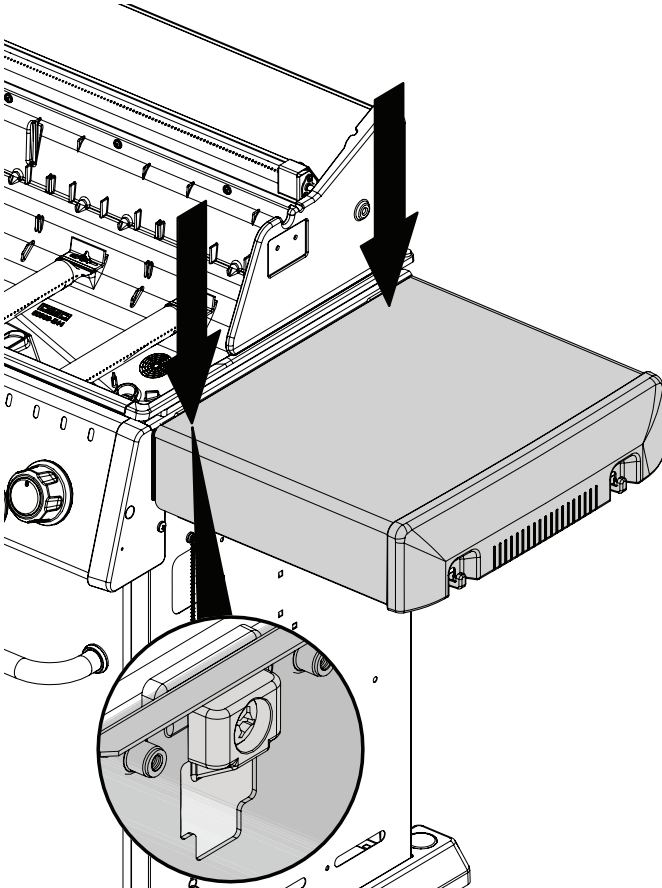
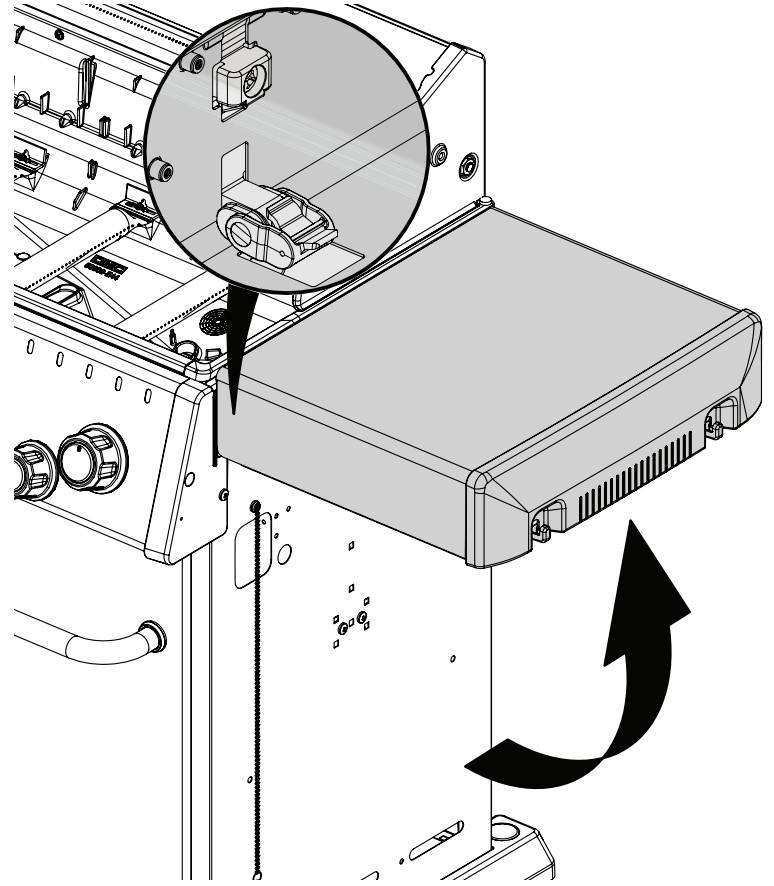
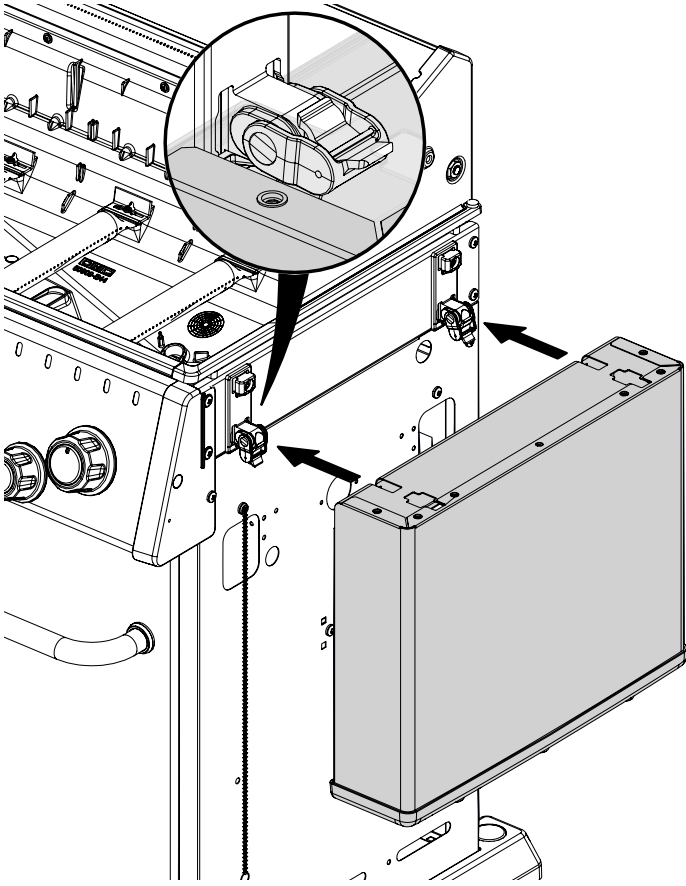


14

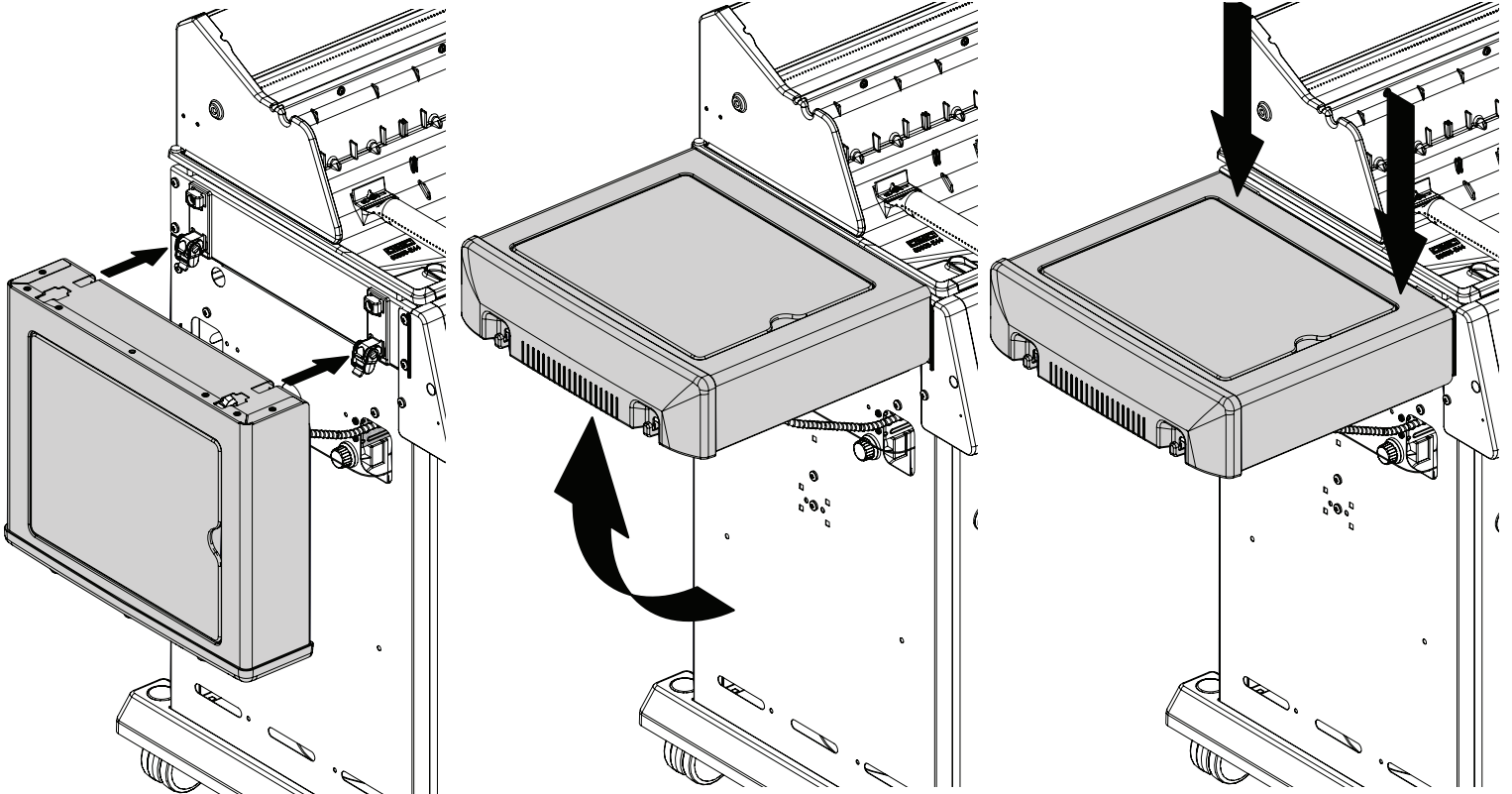
(6)



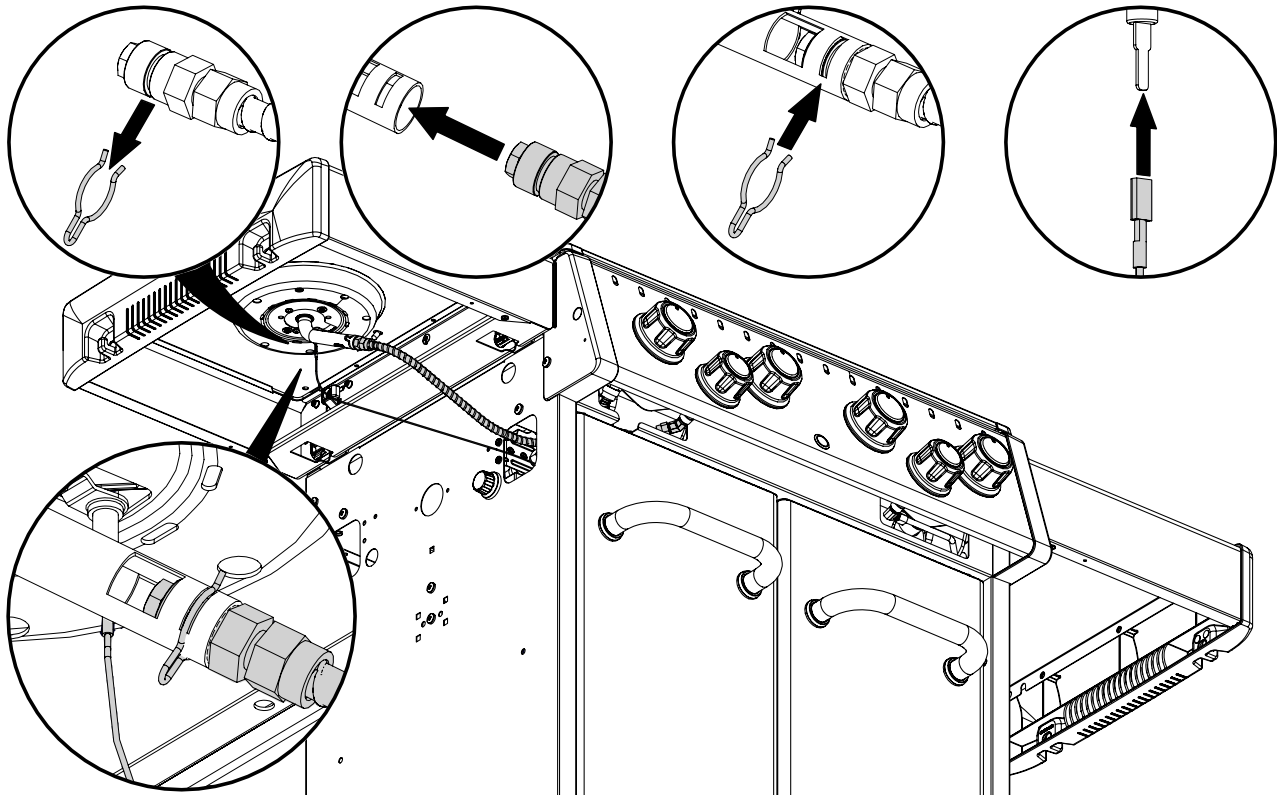
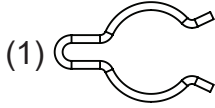
15



16

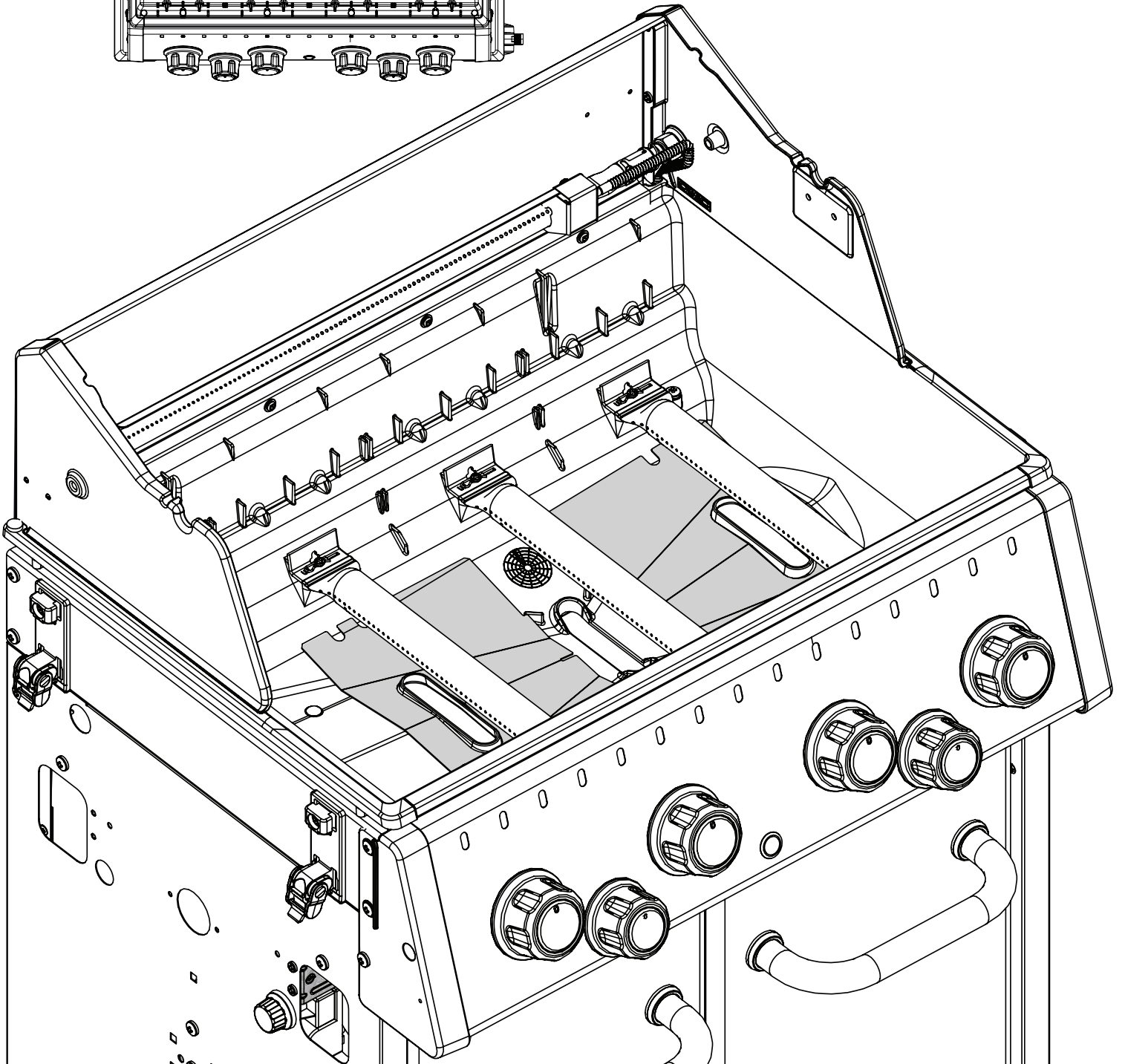
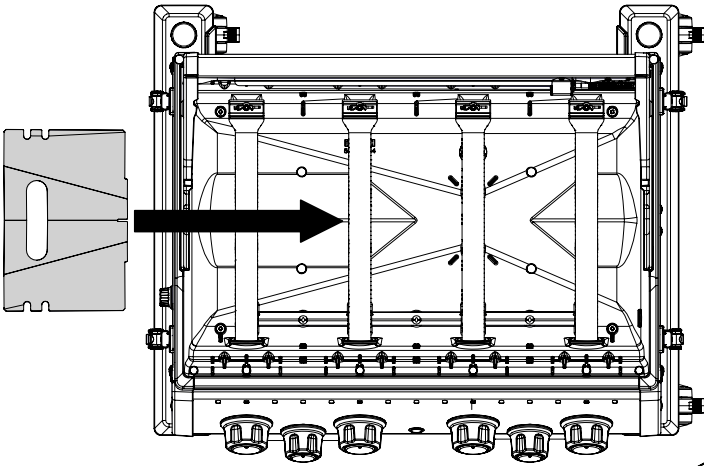
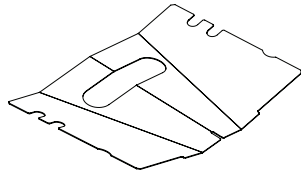


17



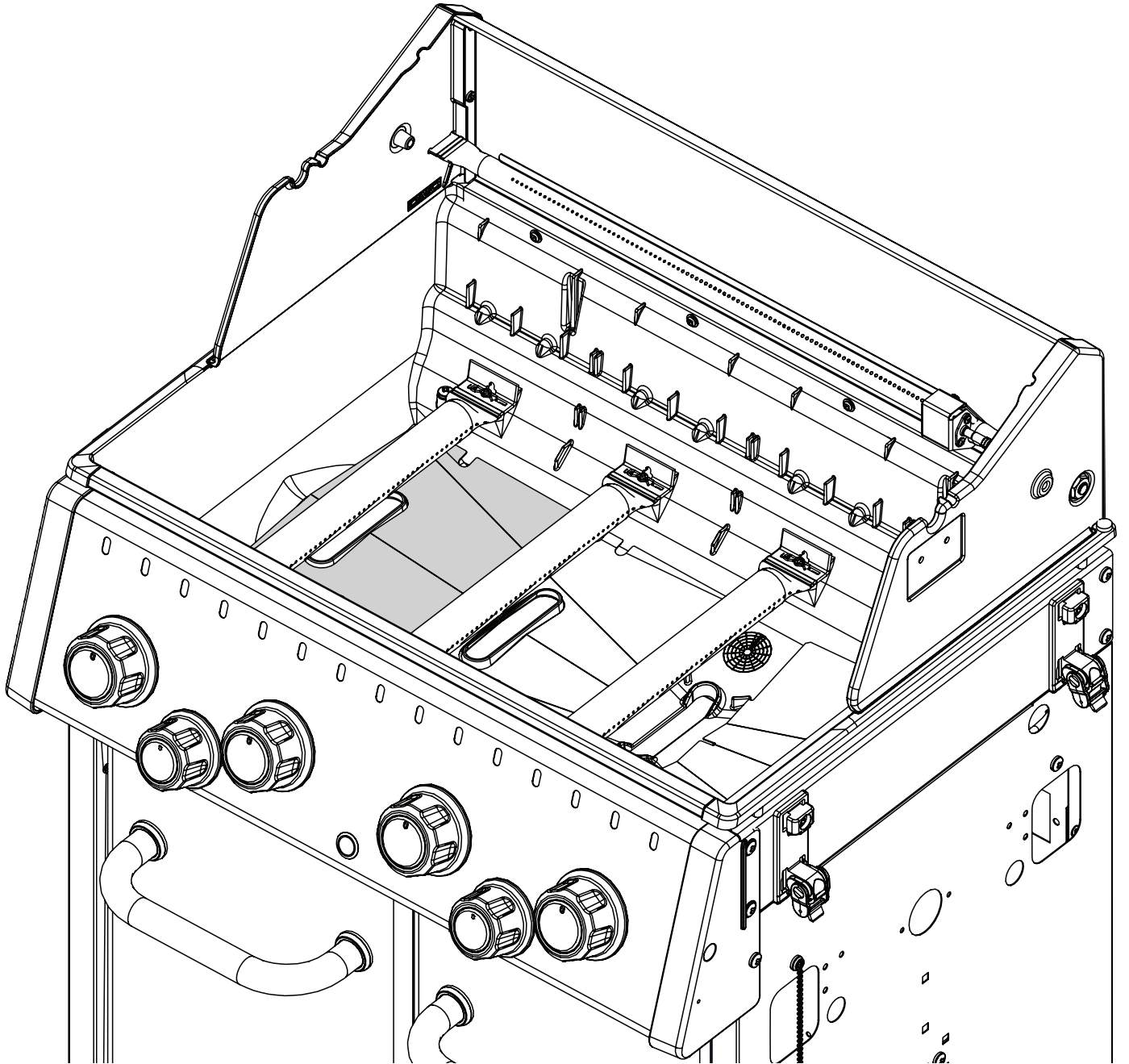
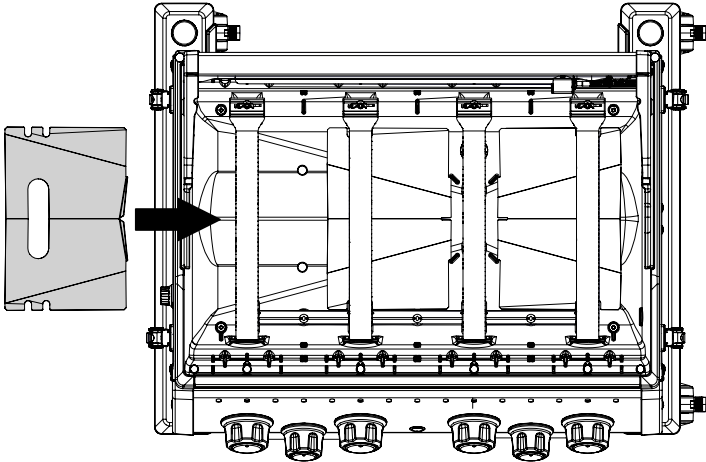
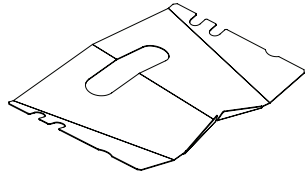
18

(2)



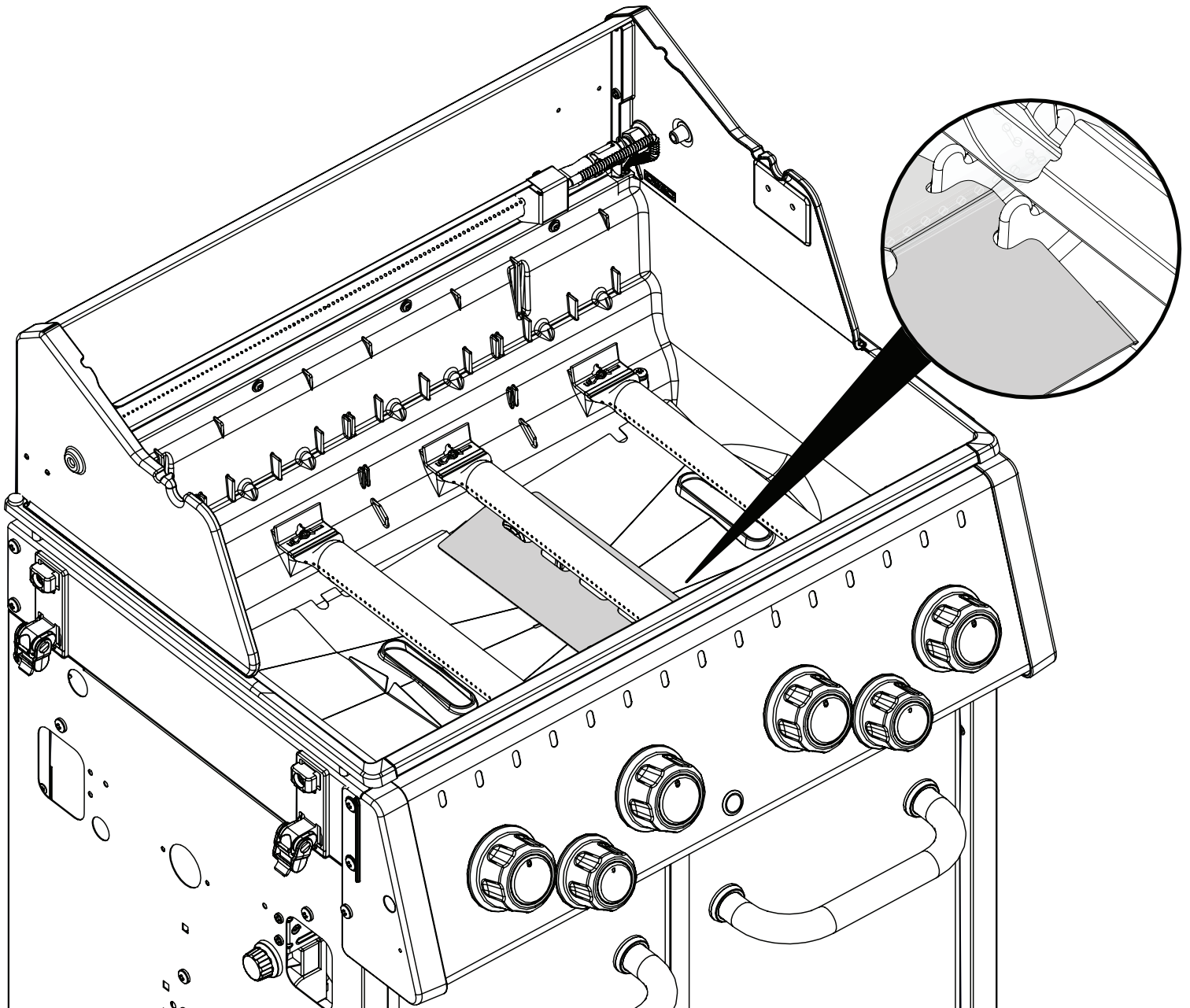
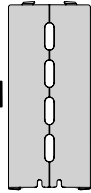
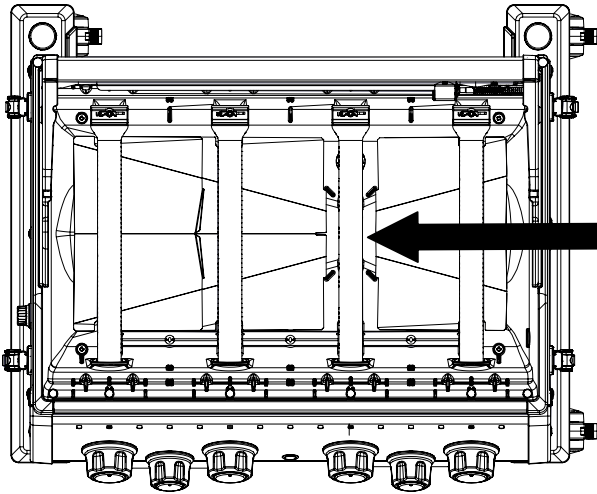
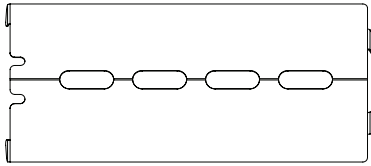
19

(1)

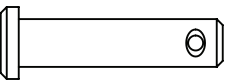
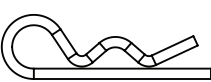


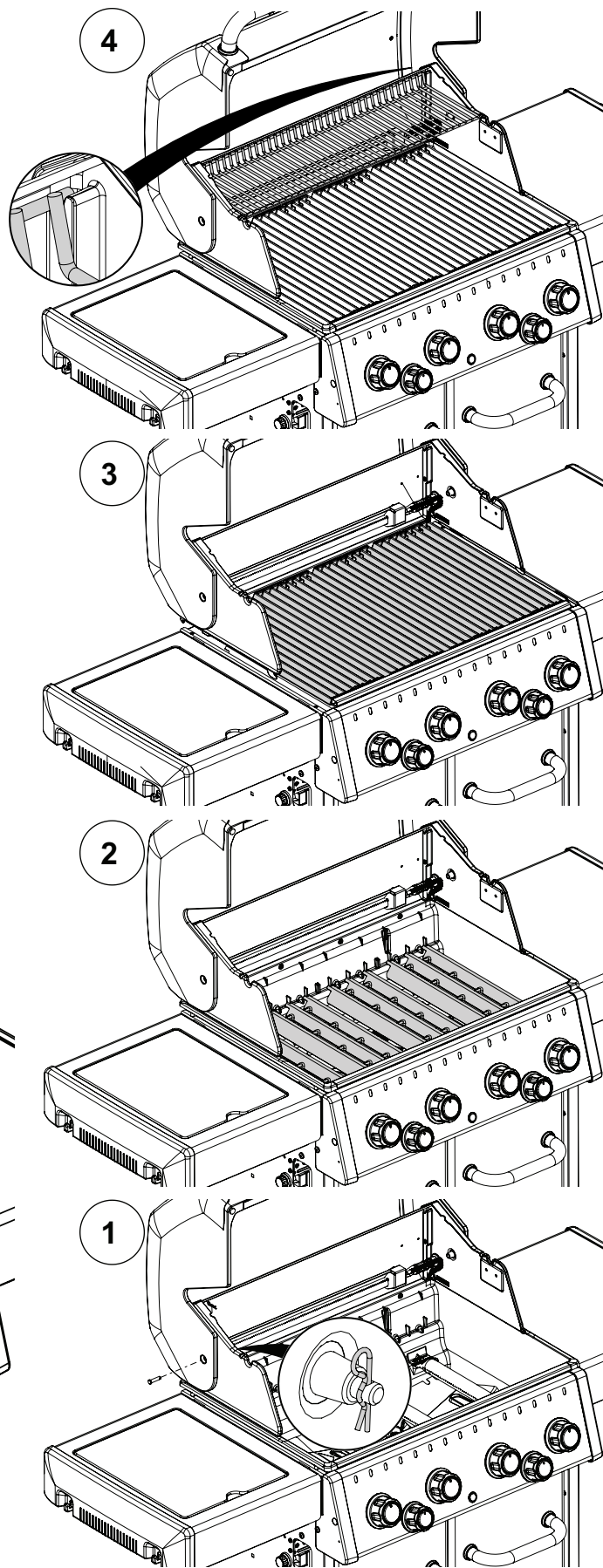
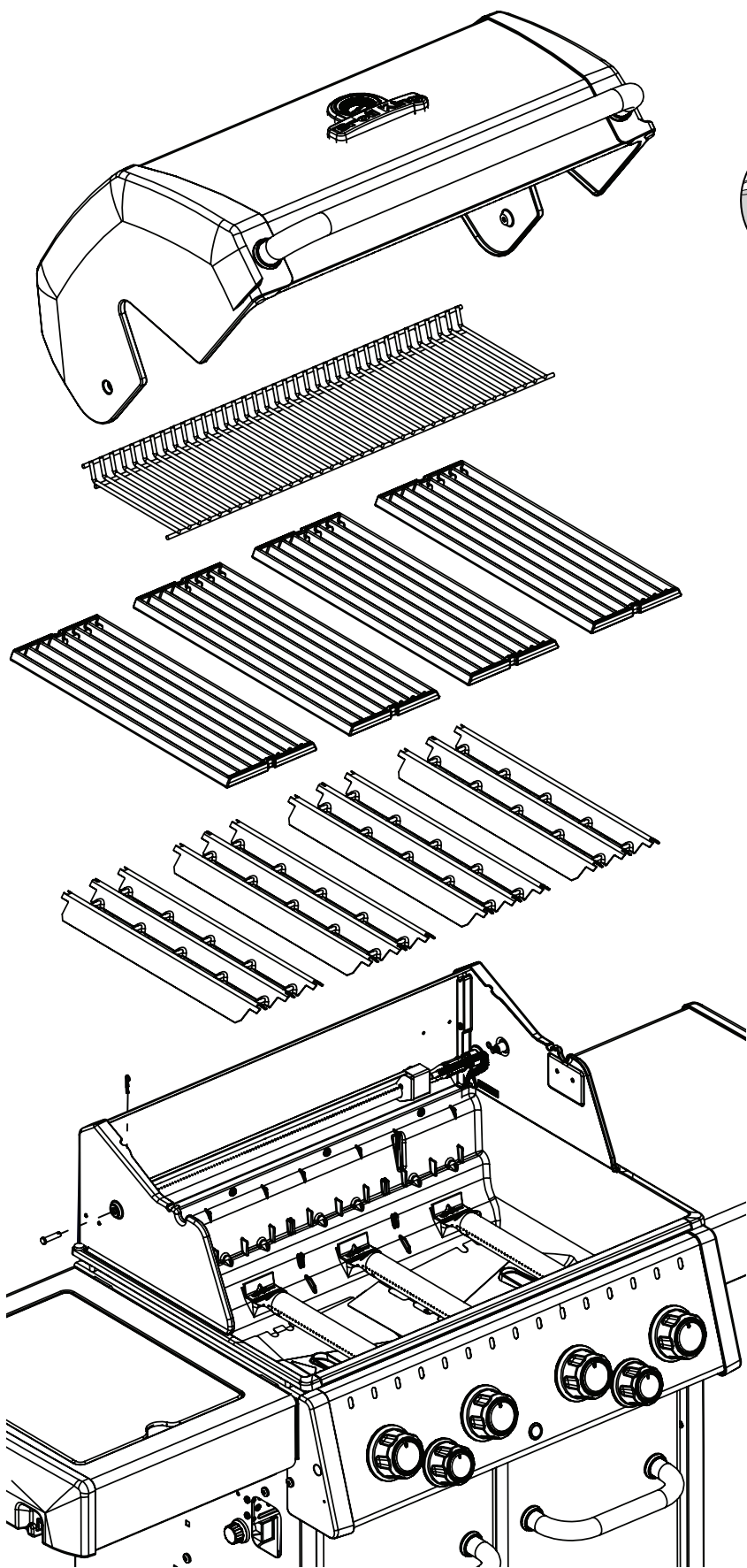
20

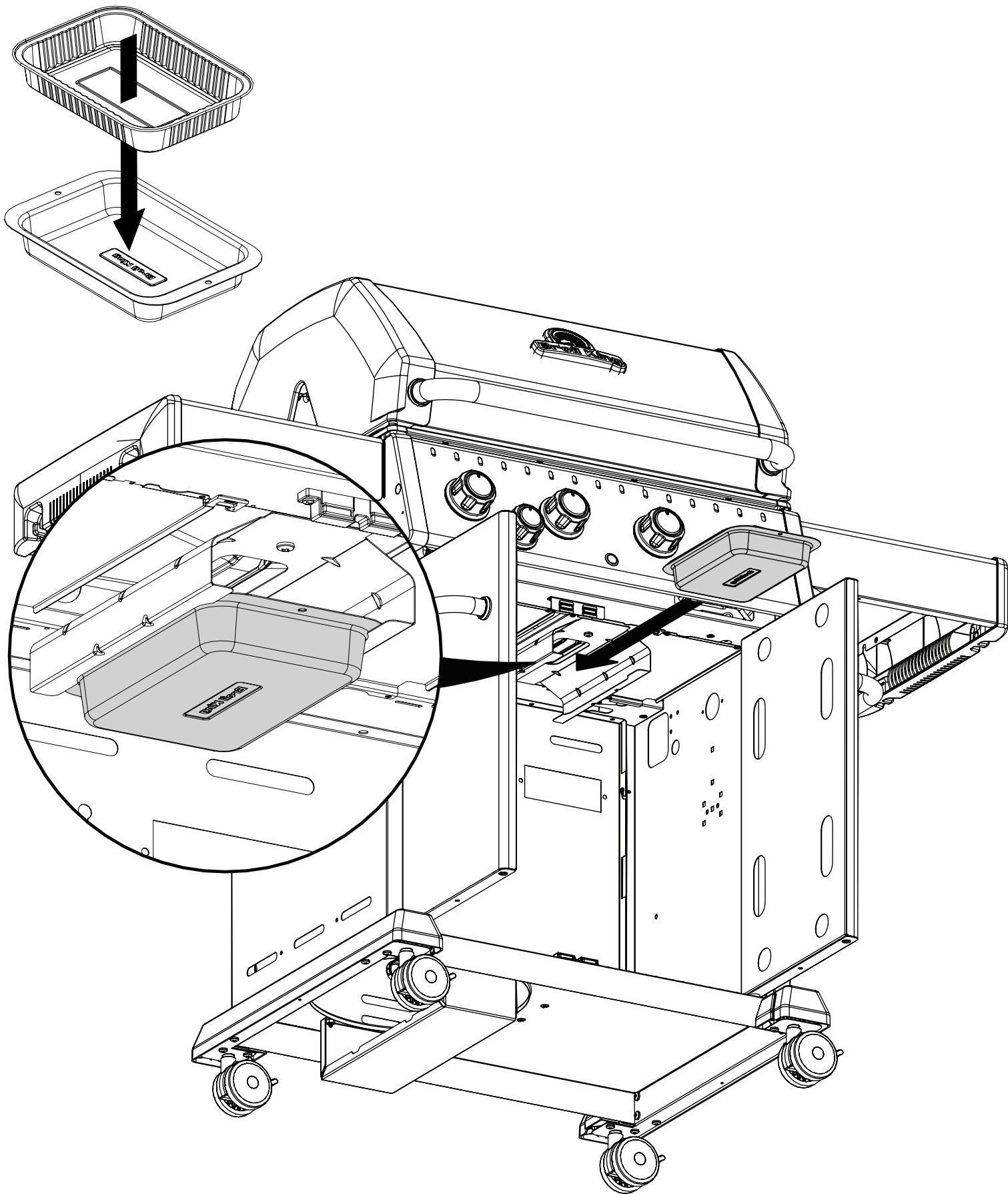
(1)



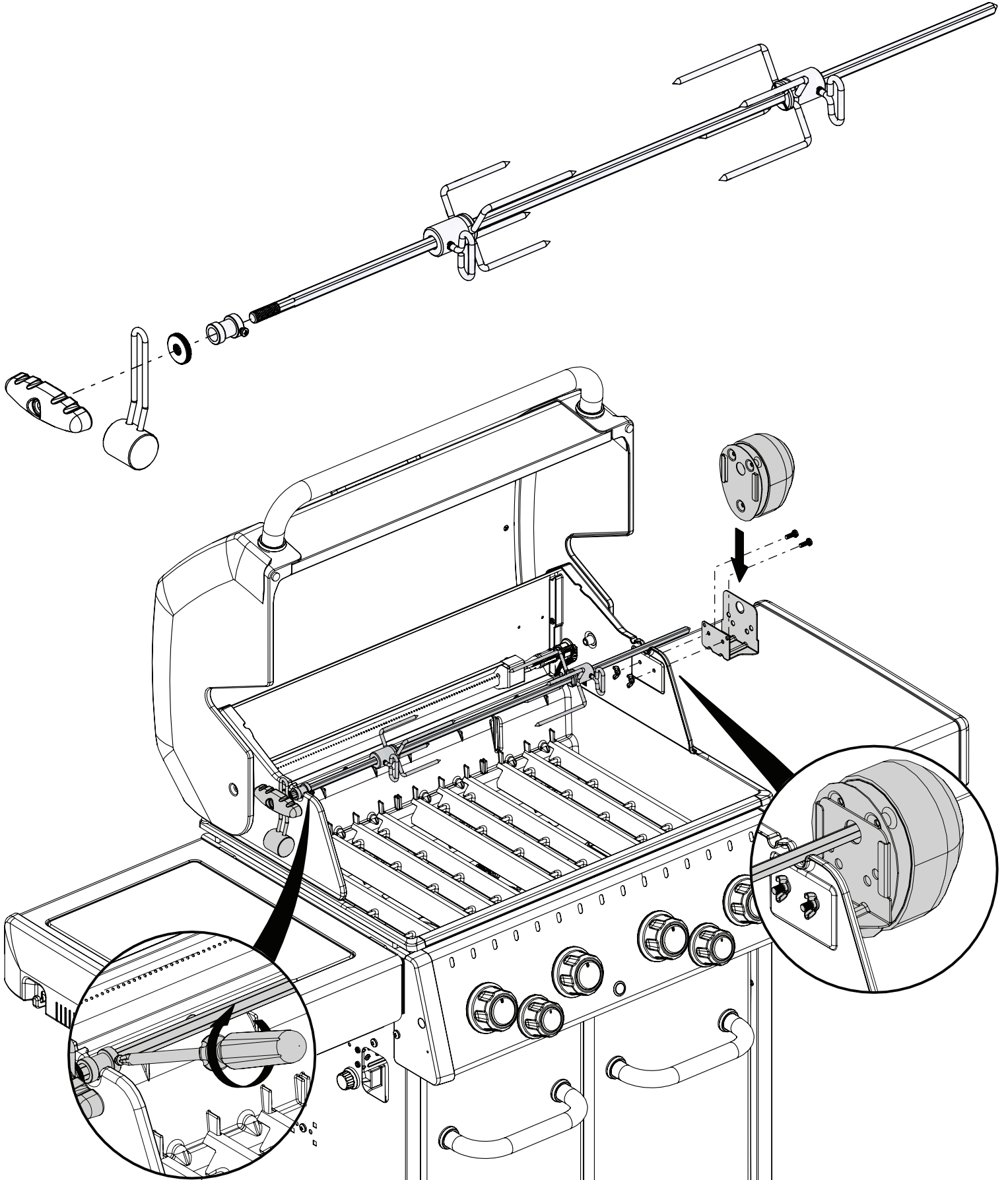
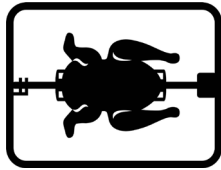
21

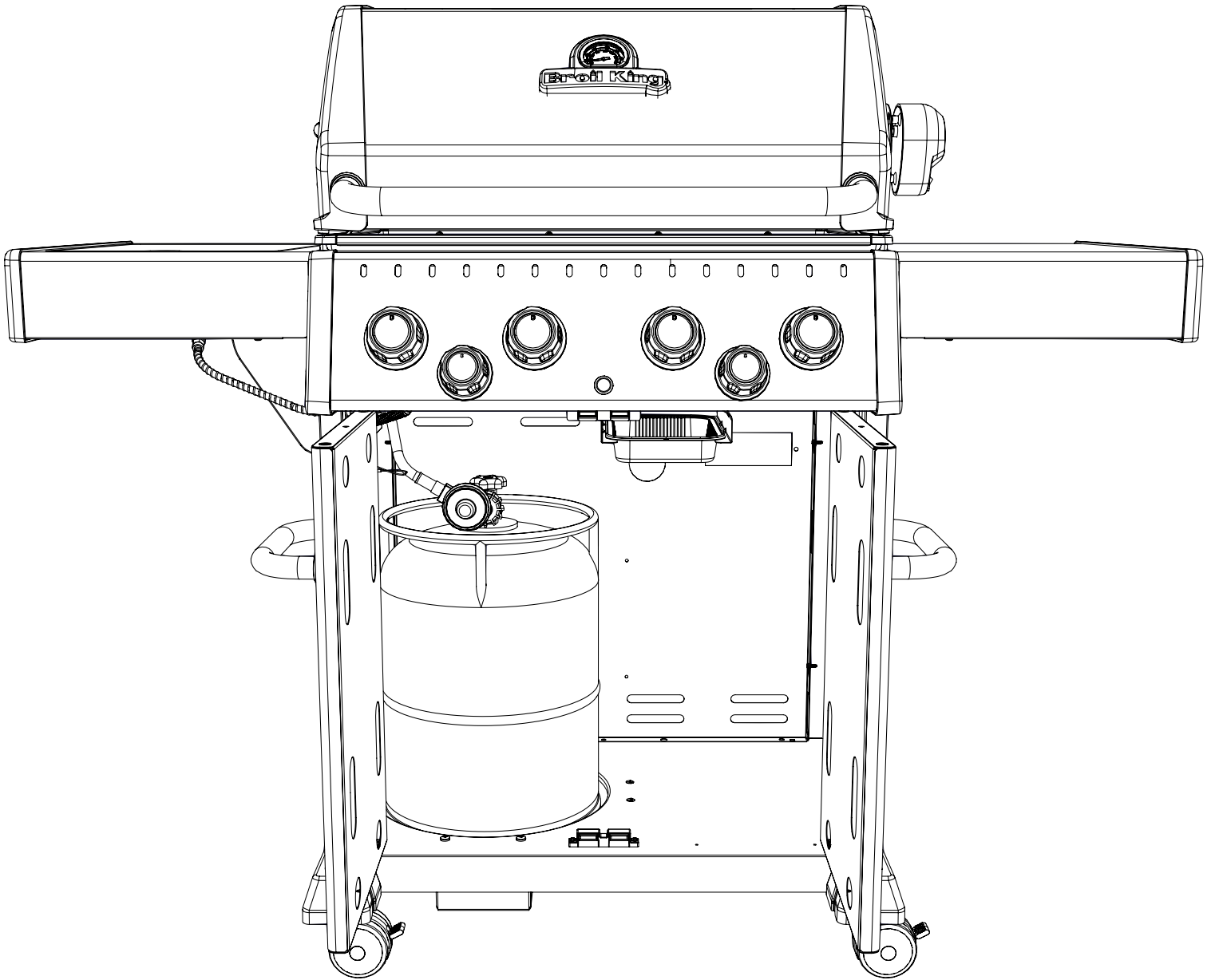
- (2) 
- (2) 





23





25

