

Broil King®



Broil King
SIGNET 320 BLACK
9464-52
9464-53



Broil King
SIGNET 320
9468-52
9468-53



Broil King
SIGNET 340
9468-62
9468-63

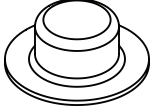
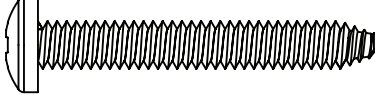

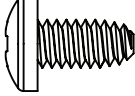

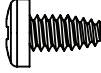

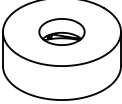
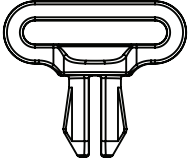
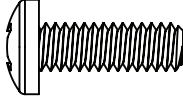
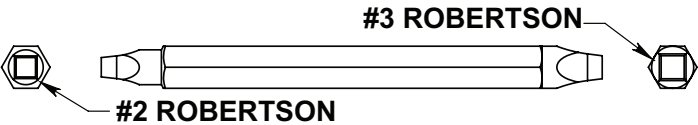


Broil King
SIGNET 390 BLACK
9464-82
9464-83

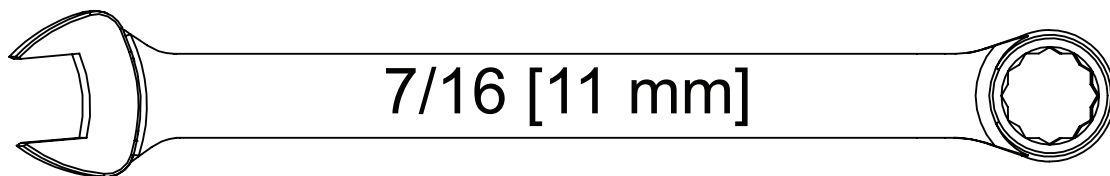


Broil King
SIGNET 390
9468-82
9468-83

HARDWARE INCLUDED / MATERIAL INCLUS / EQUIPOS INCLUIDO

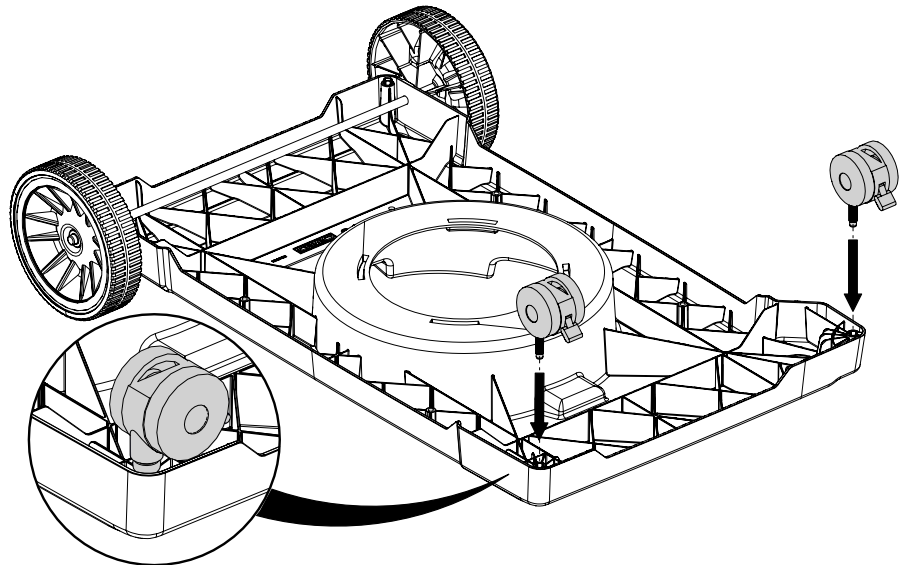
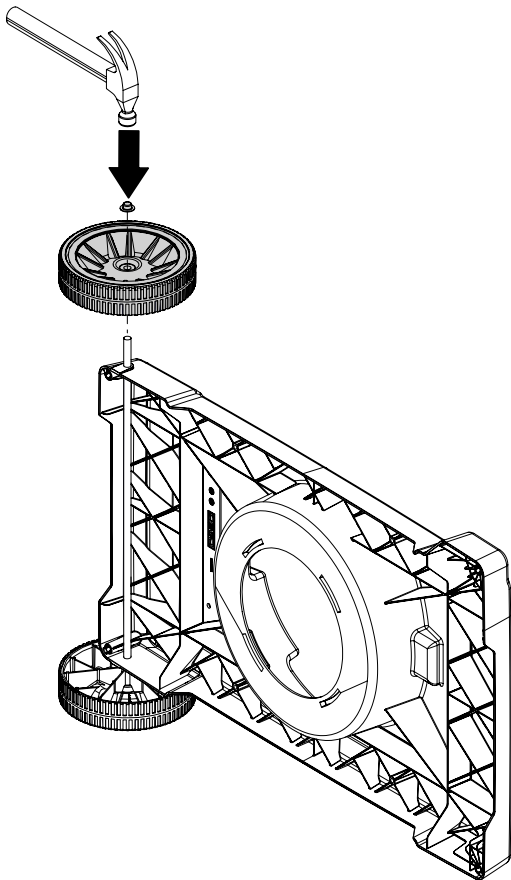
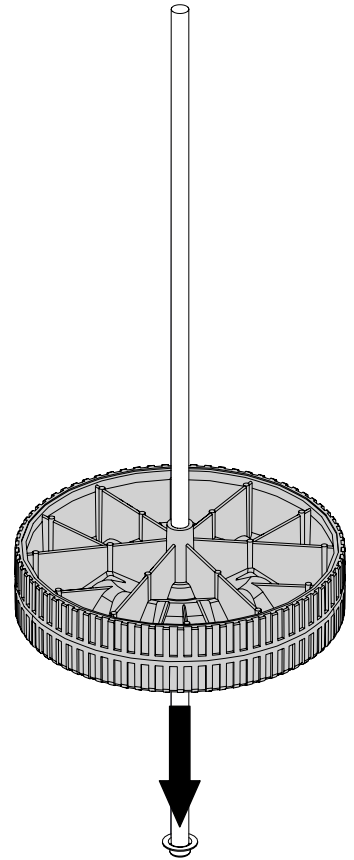
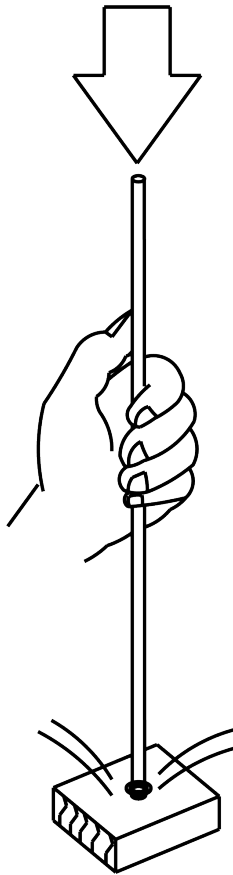
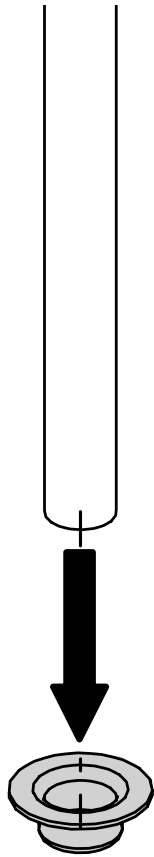
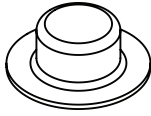
S21420		(2)	Y-11561		(4)
Y-11793		(2)	Y-12865		(8)
AAA		(1)	Y-29304		(2)
S21124		(2)	Y-12124		(2)
Y-12673		(2)	Y-12310		(2)
 <p>#3 ROBERTSON</p> <p>#2 ROBERTSON</p>					

TOOLS REQUIRED / OUTILS NECESSAIRES / HERRAMIENTAS NECESARIAS

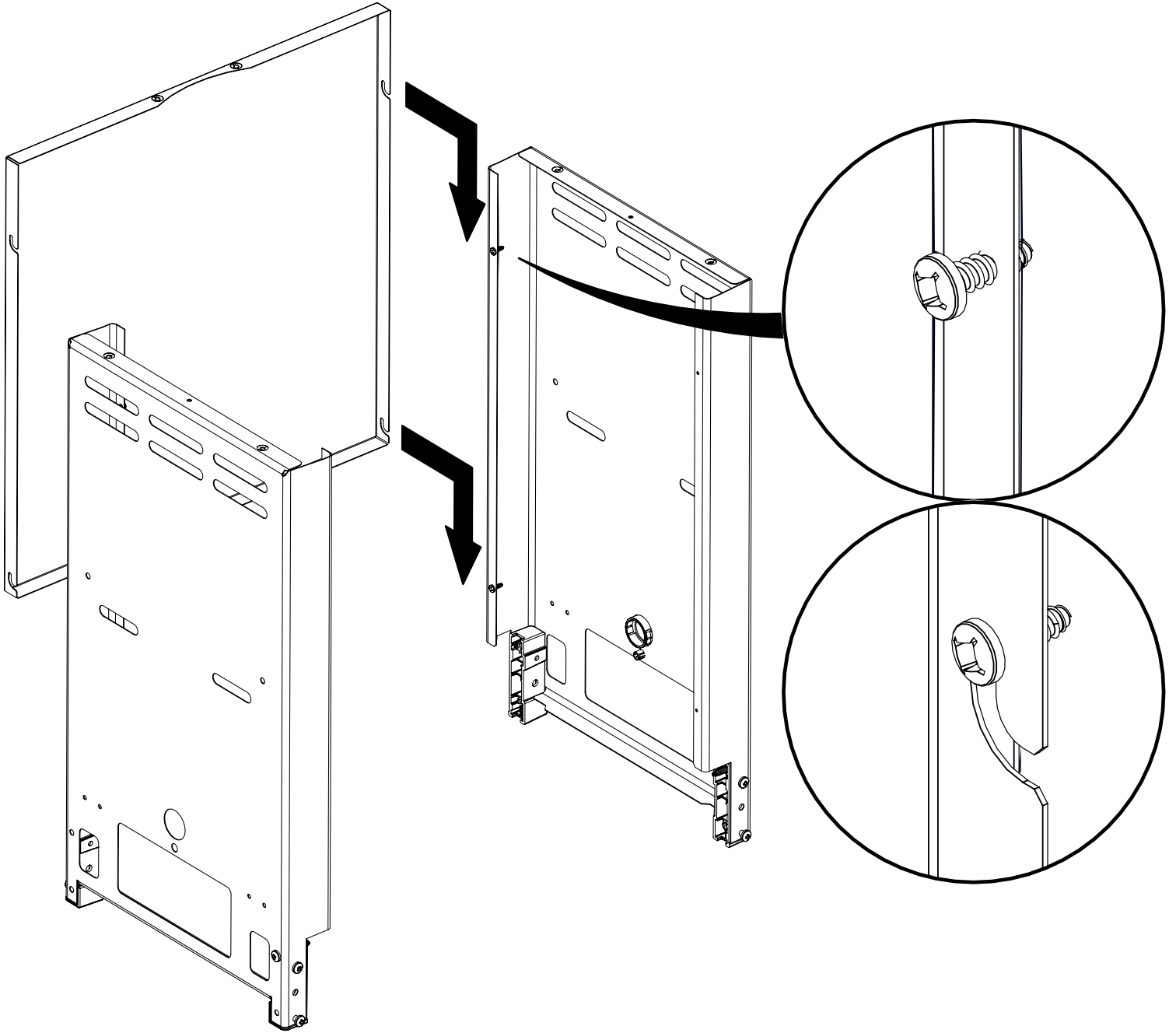


1

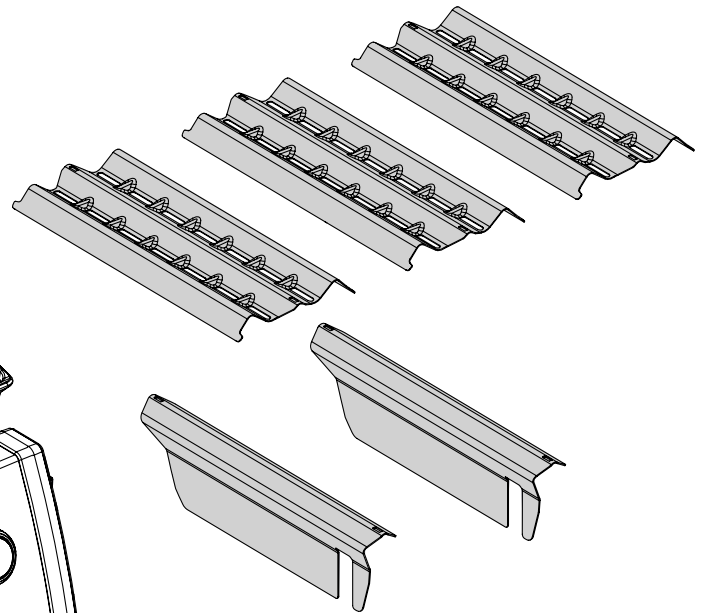
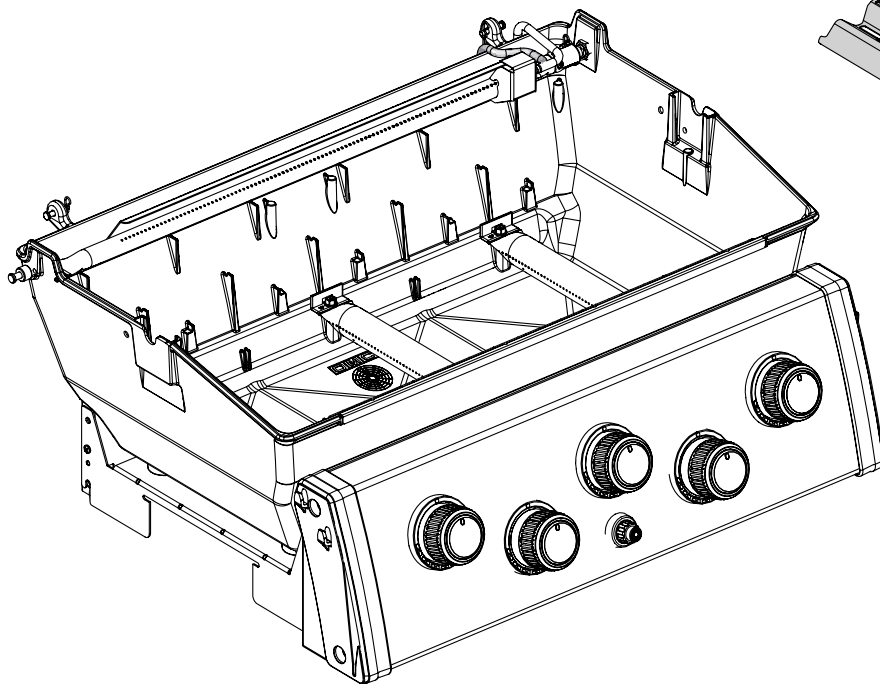
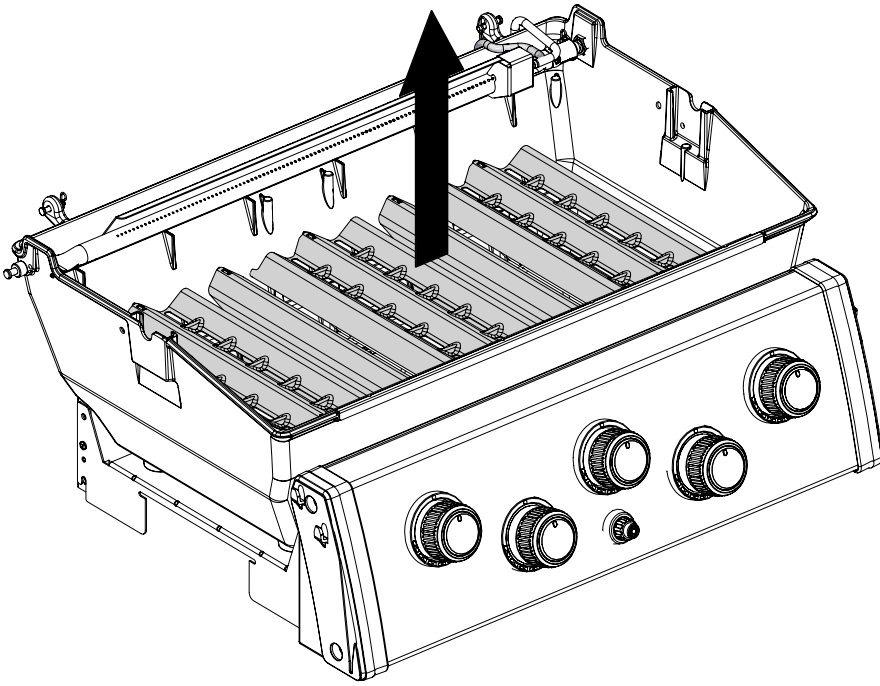
(2)



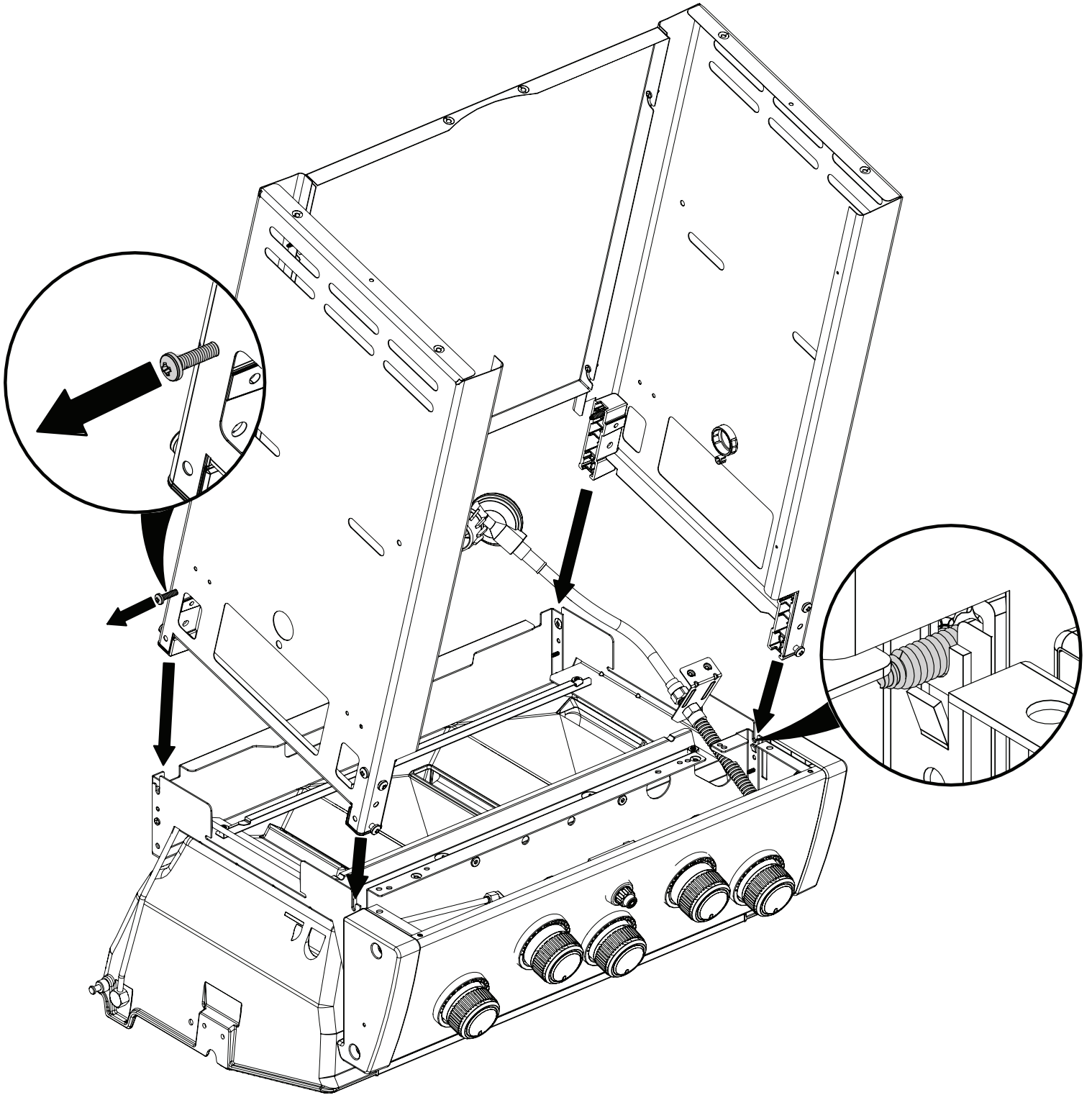
2



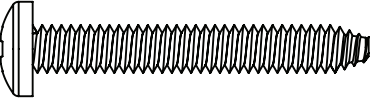
3

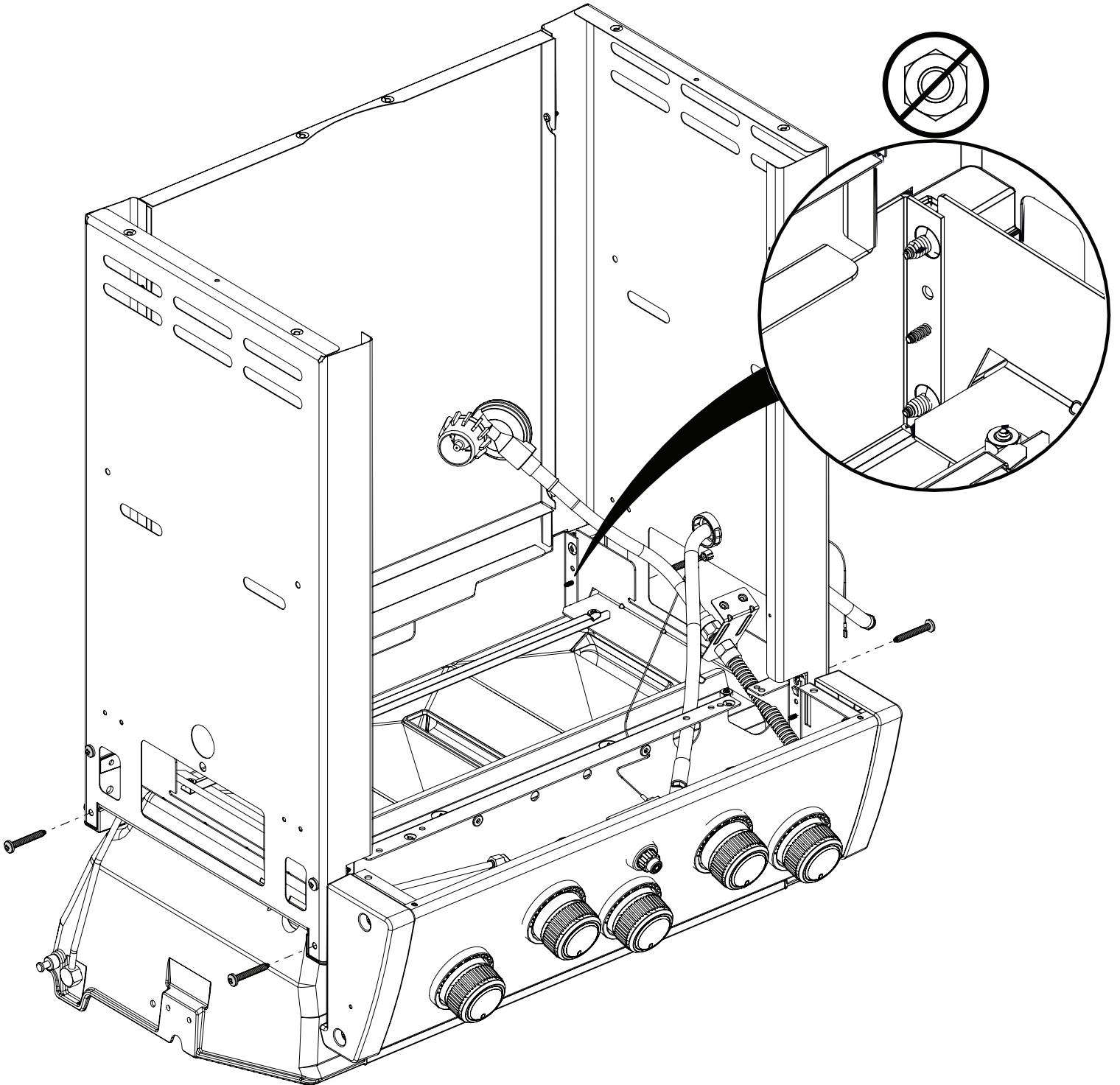


4



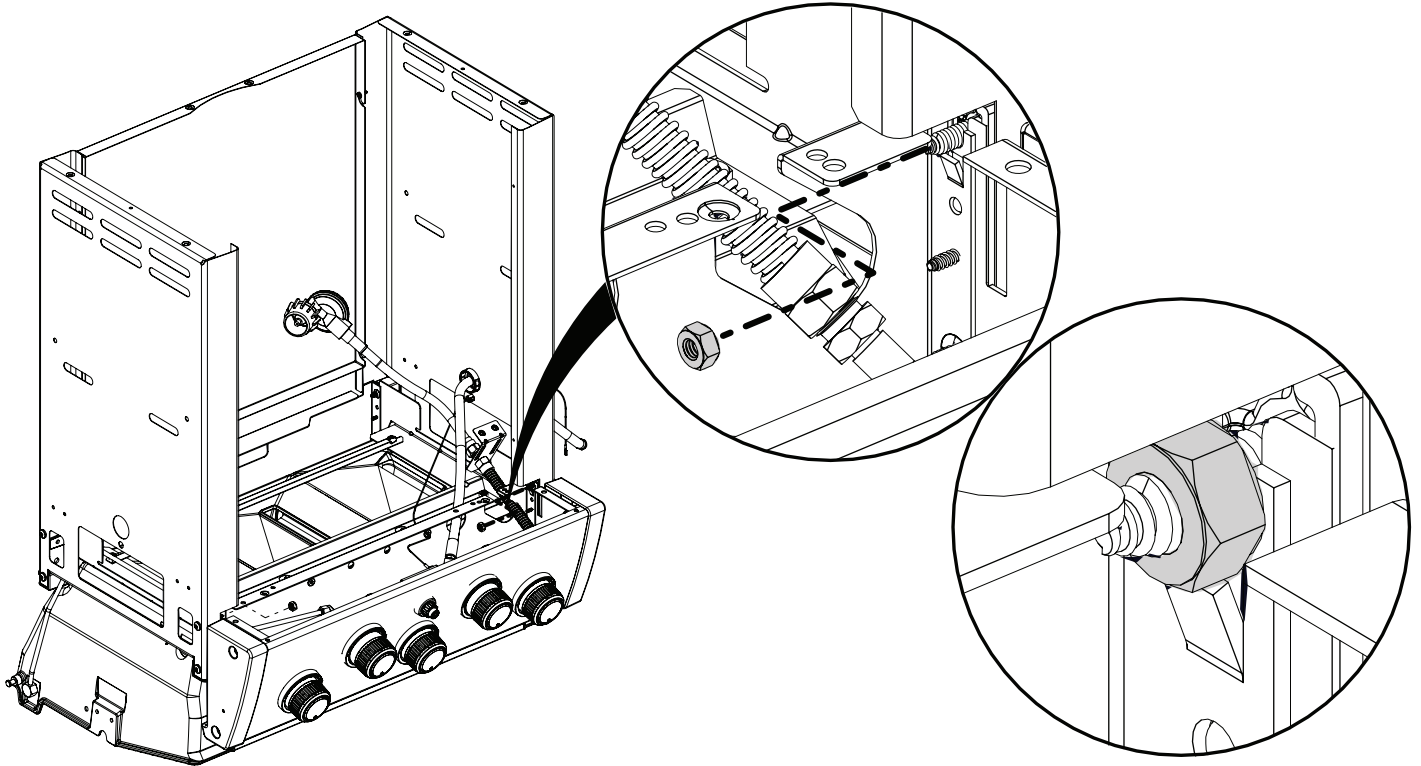
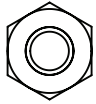
5

(4) 



6

(2)

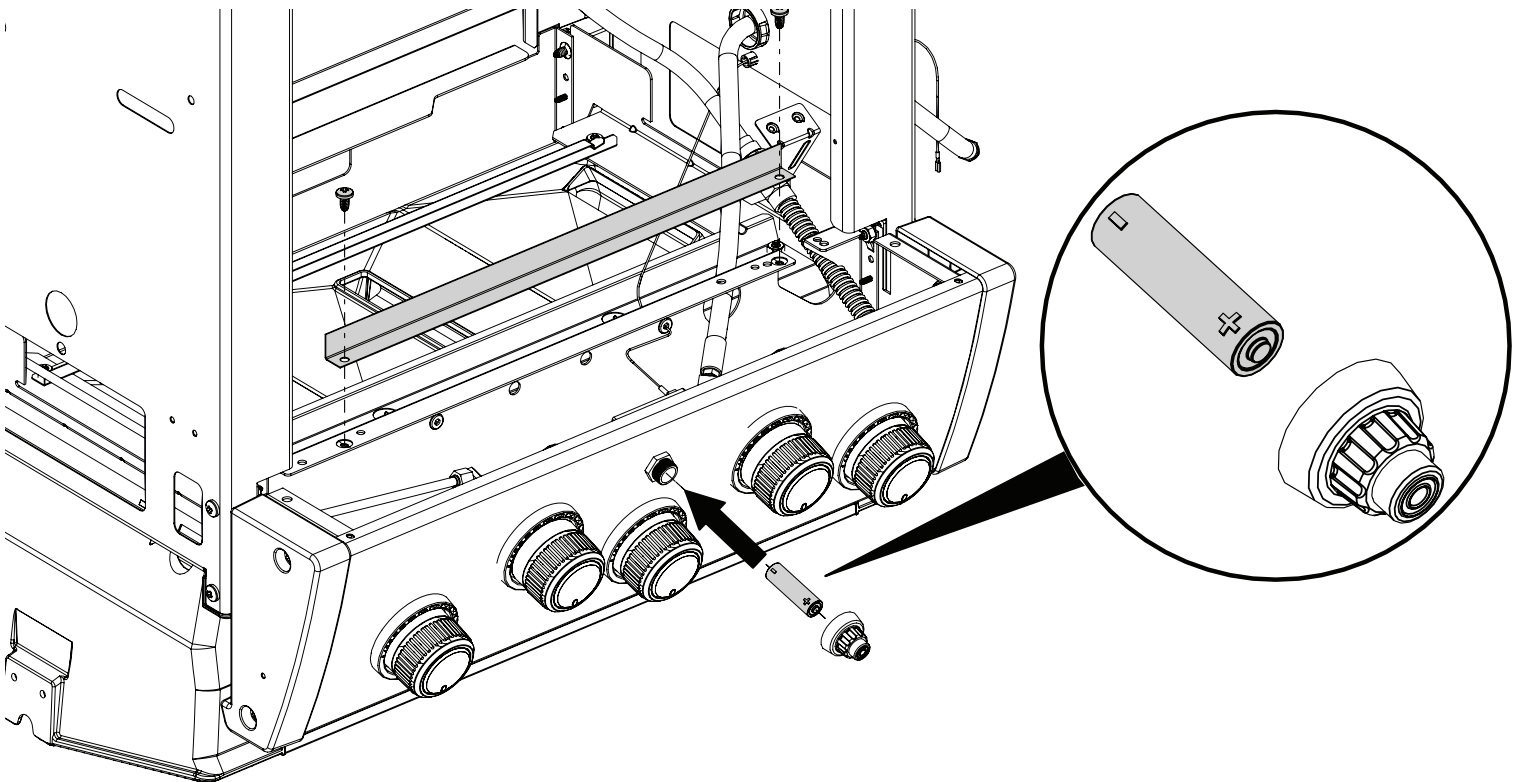
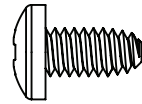


7

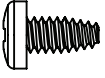
(1)

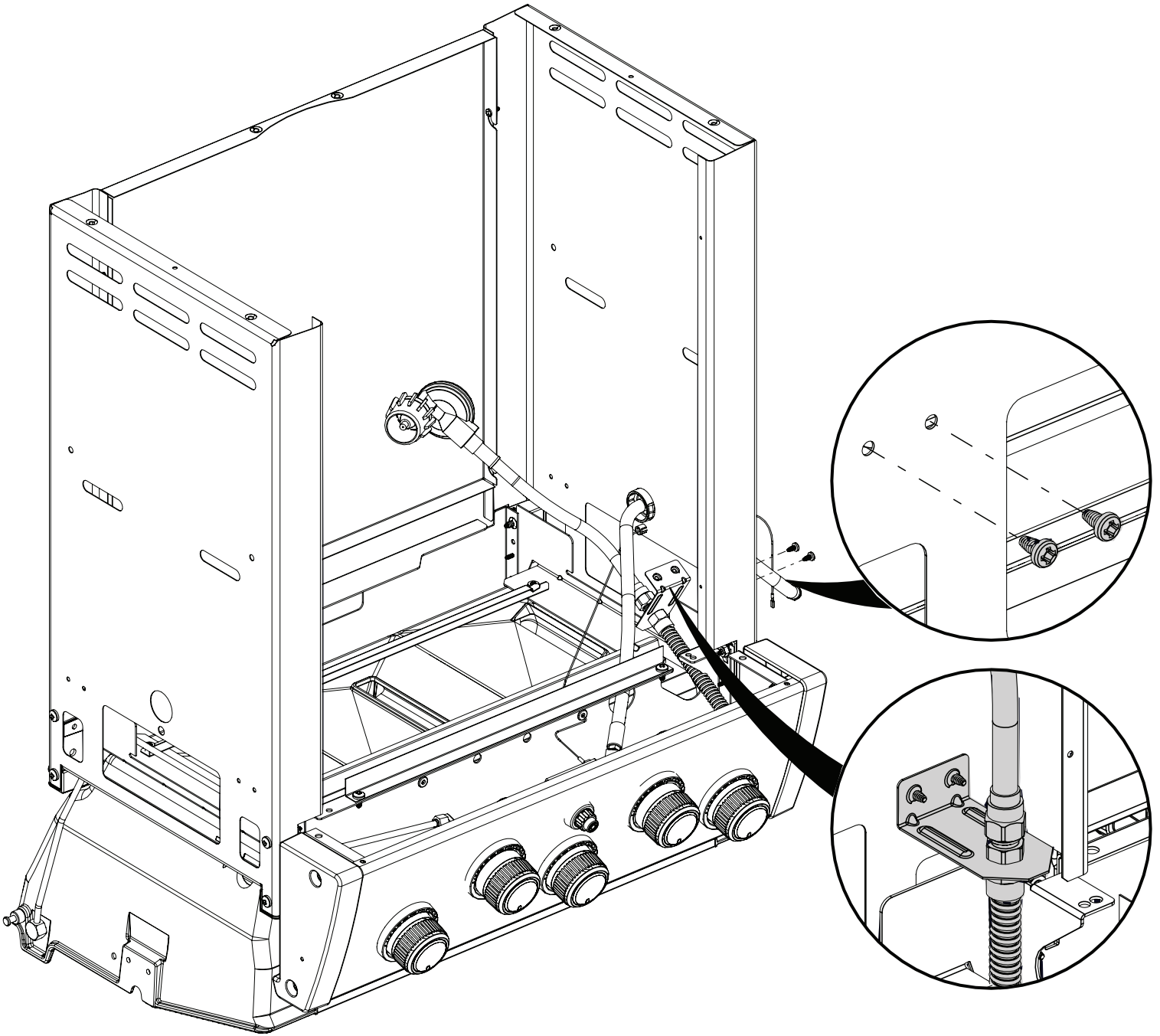


(2)

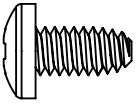


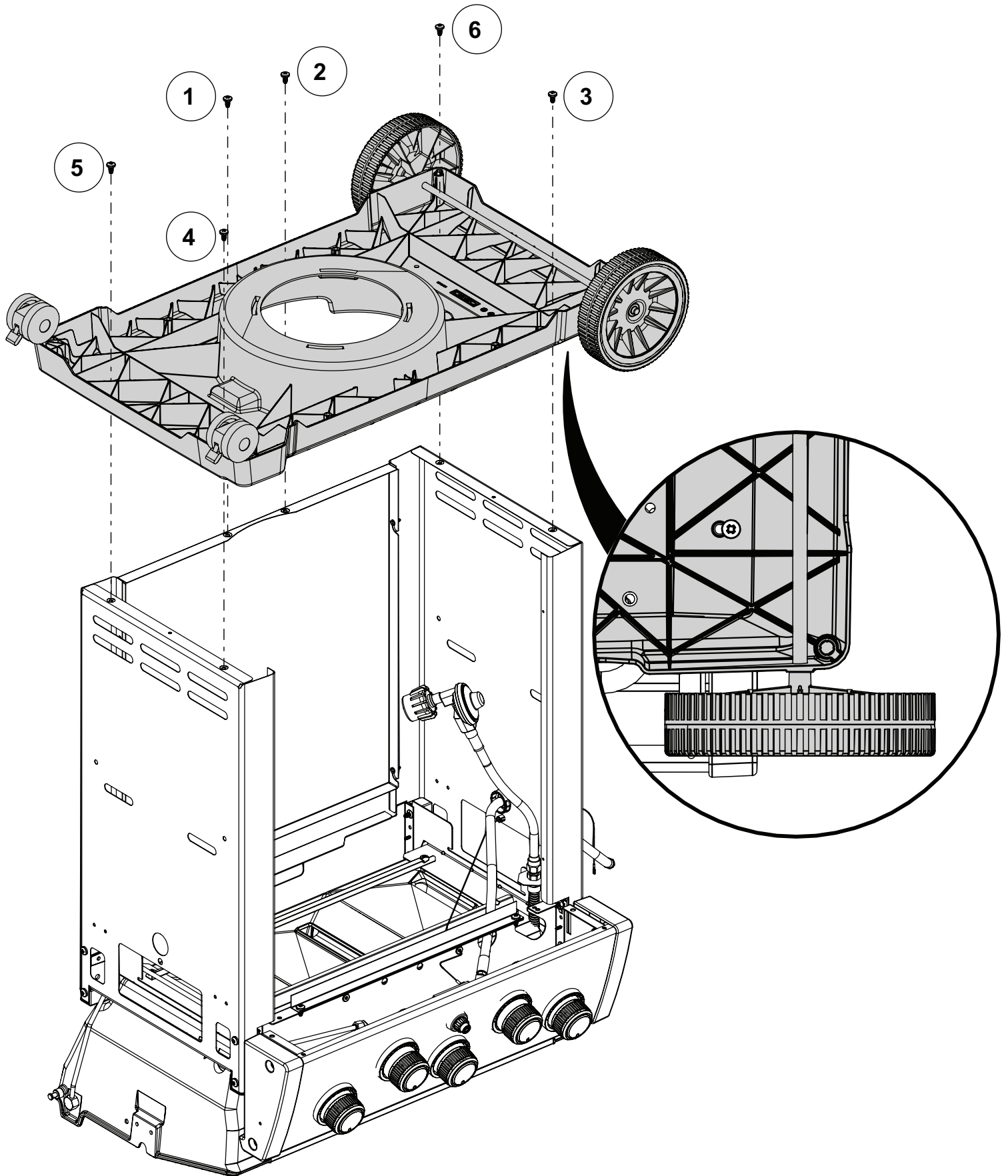
8

(2) 




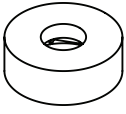
9

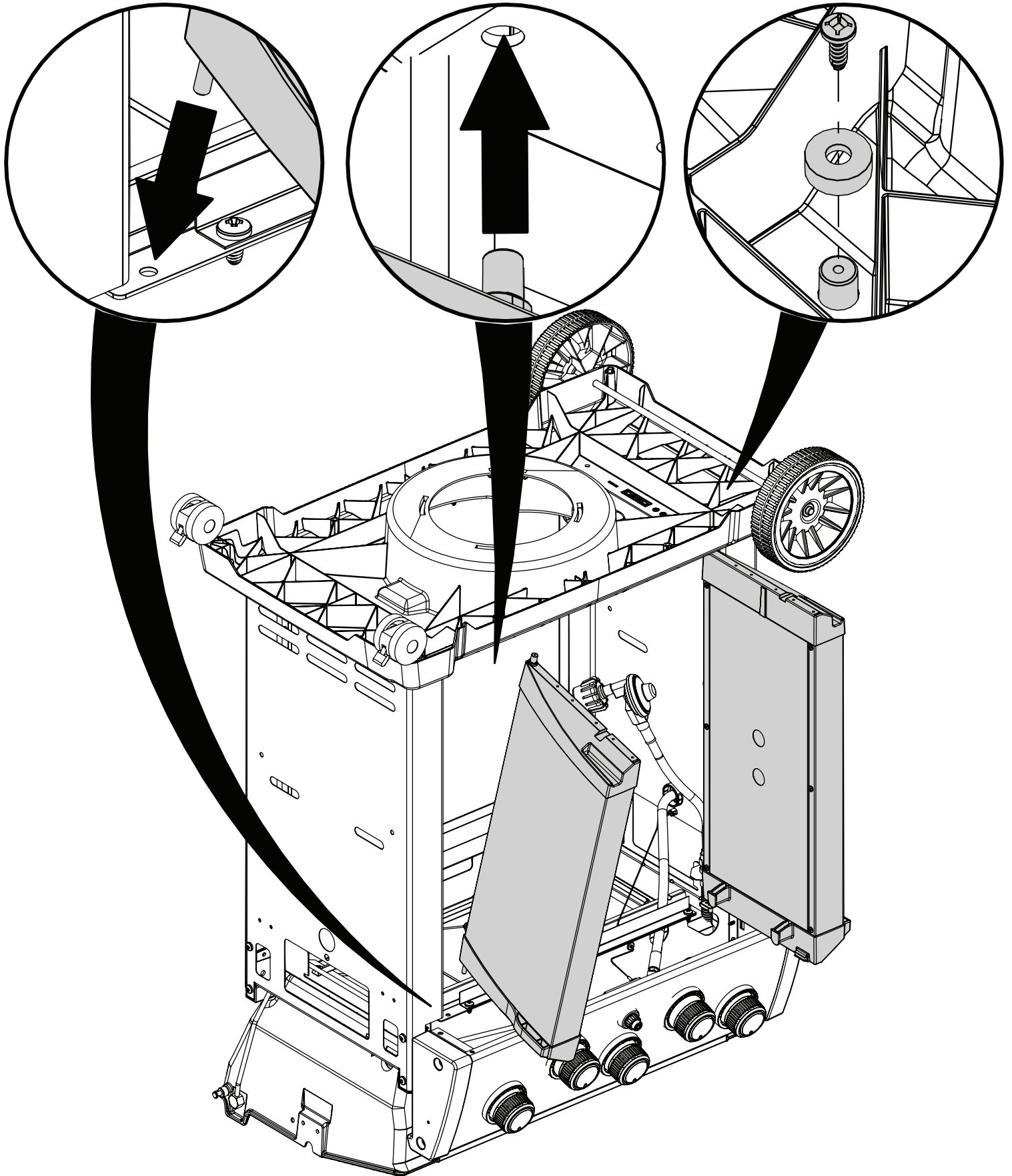
(6) 



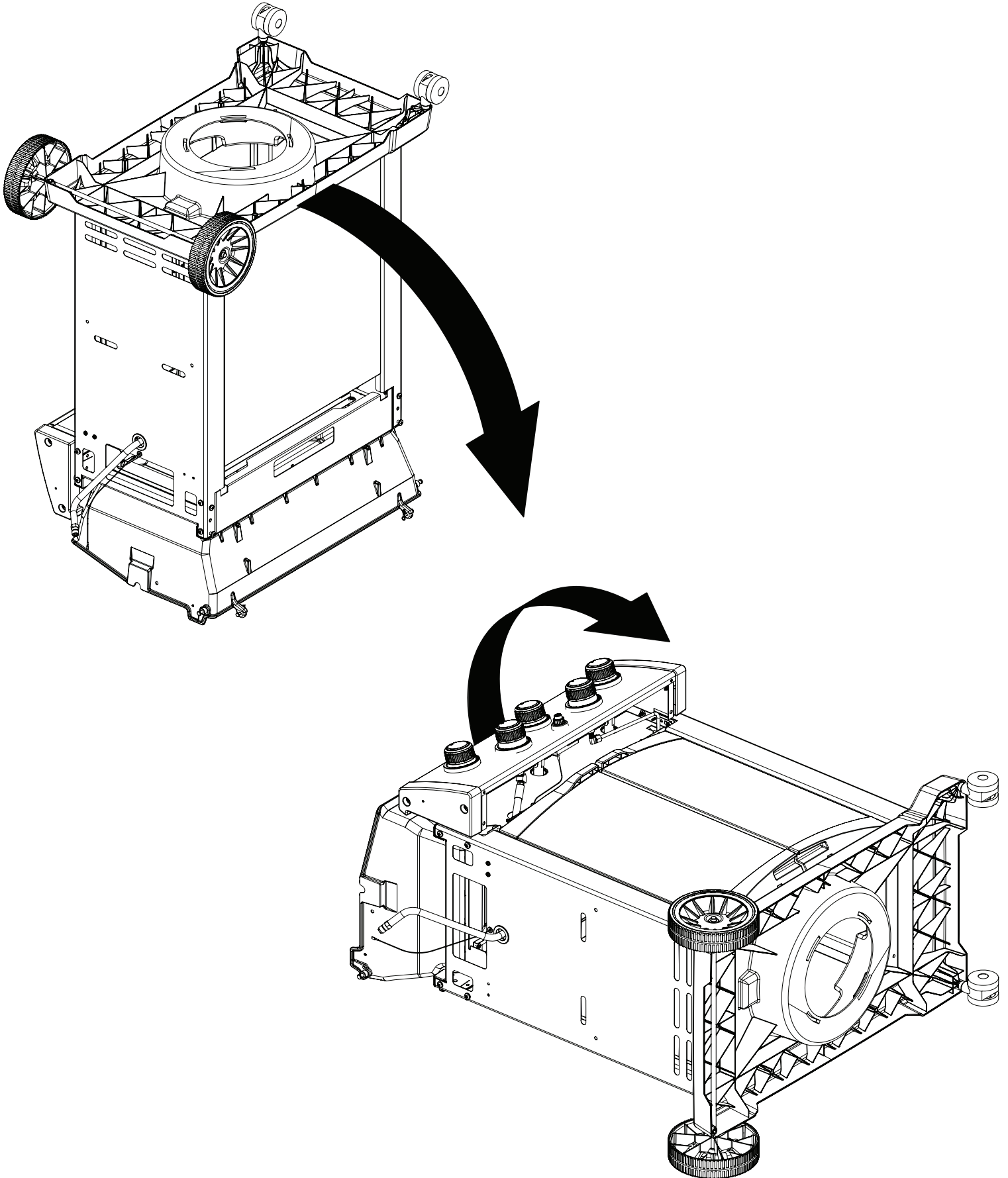
10

(2) 

(2) 

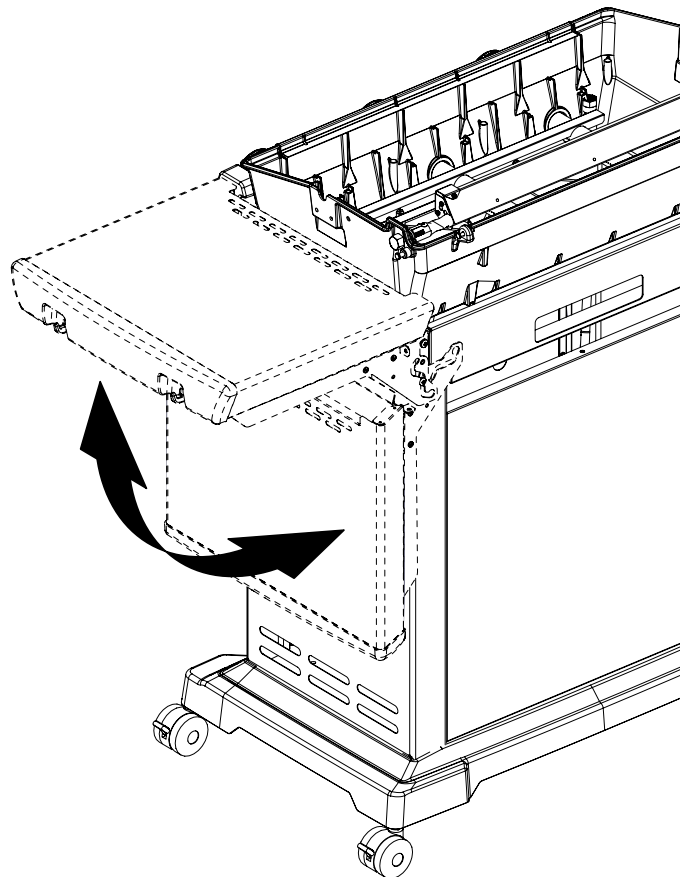
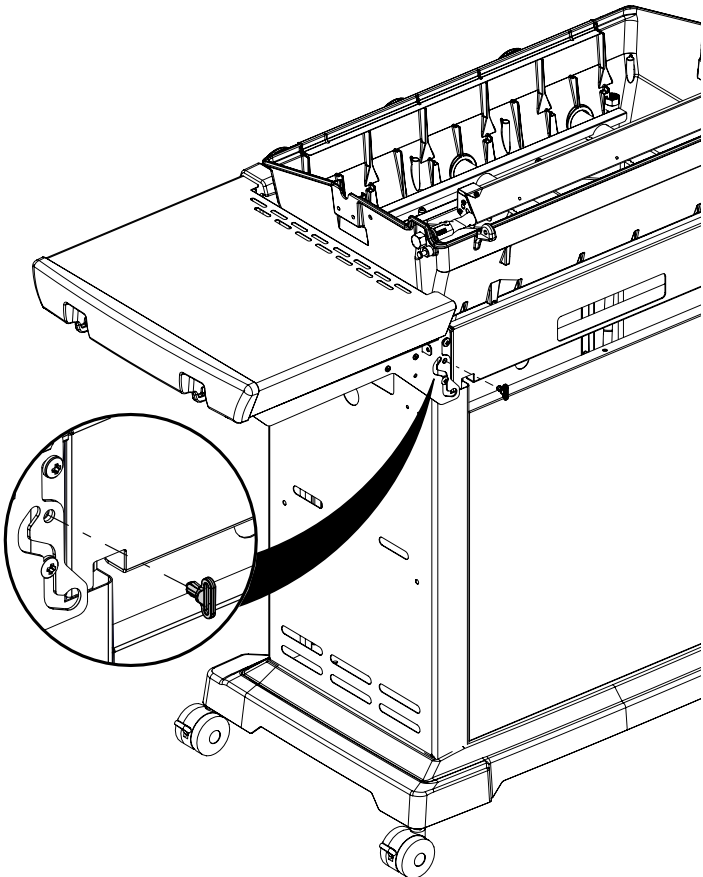
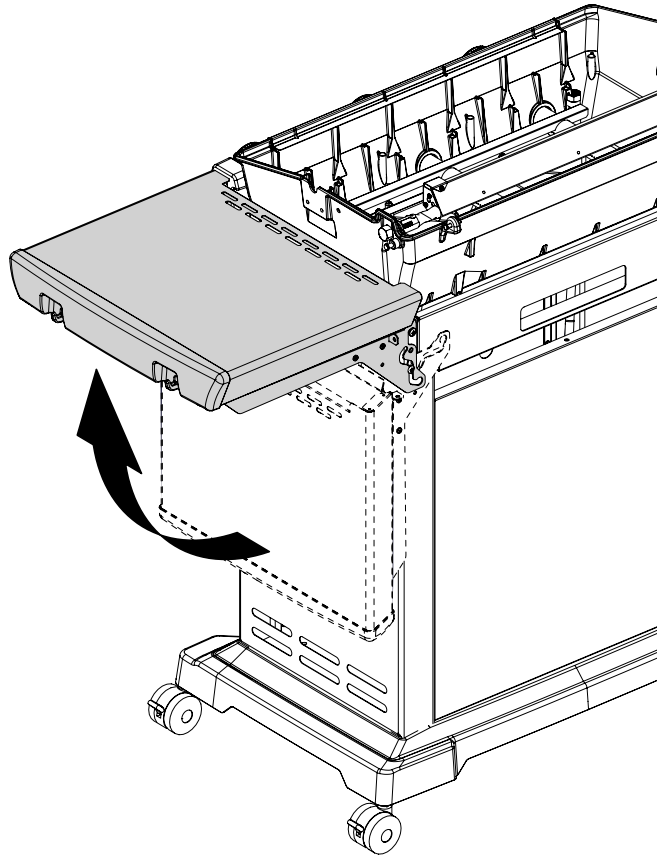
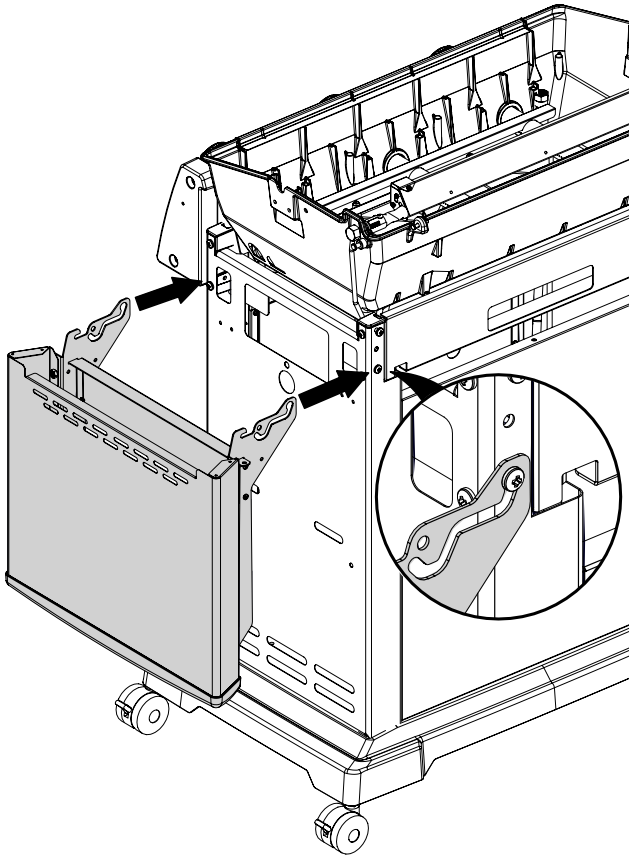
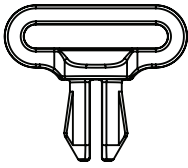


11



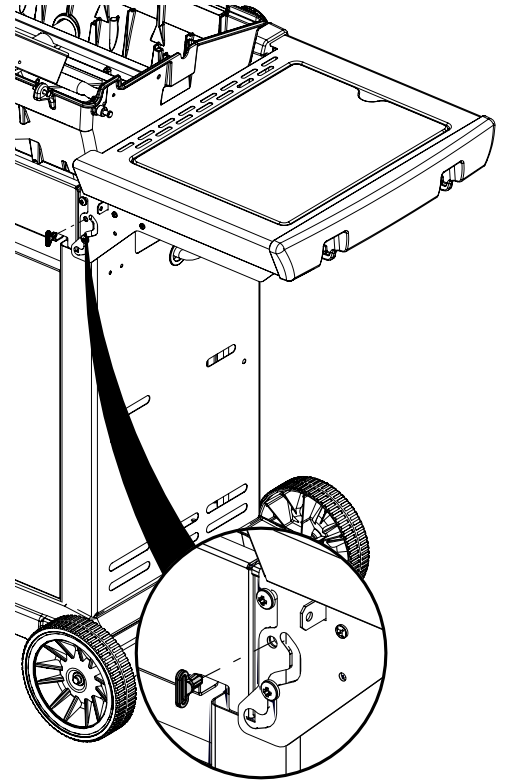
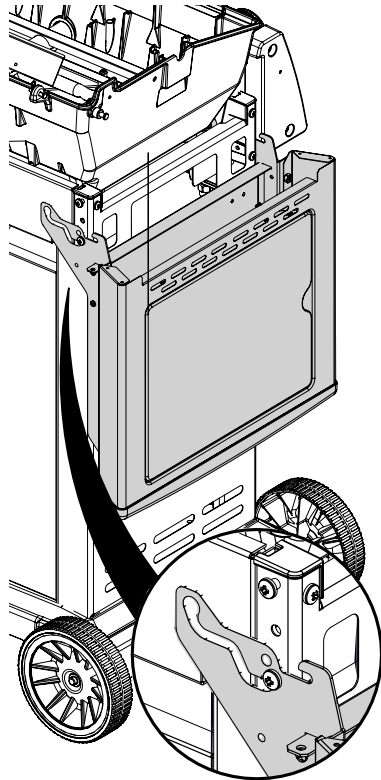
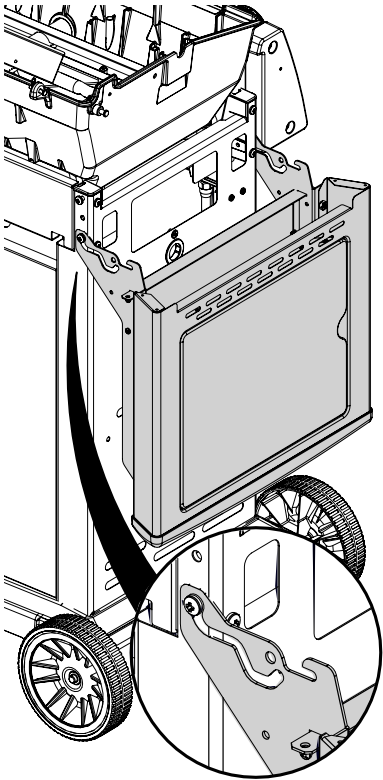
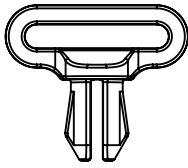
12

(1)

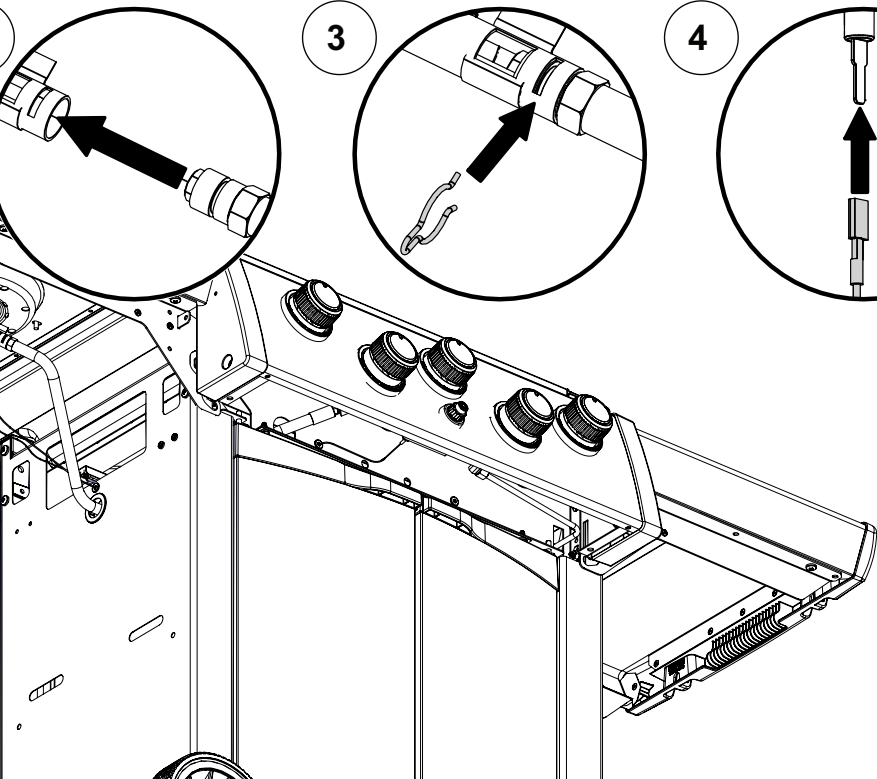
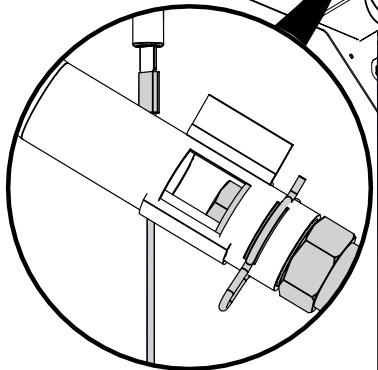
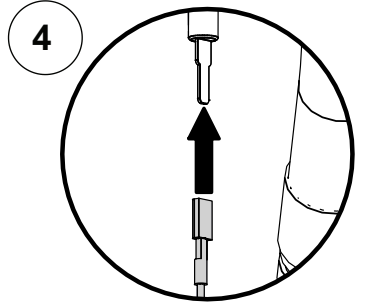
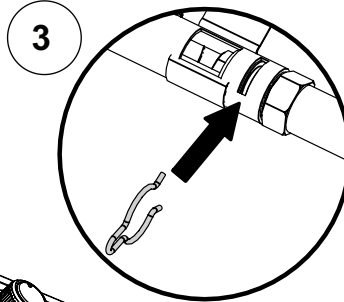
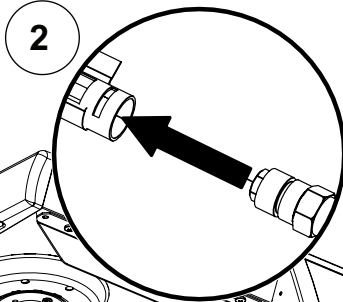
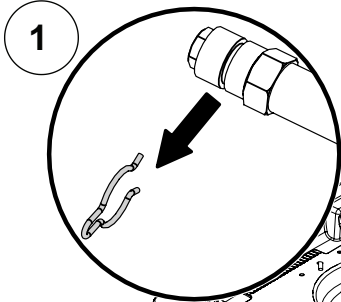
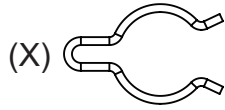


13

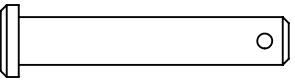
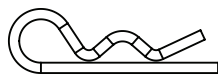
(1)

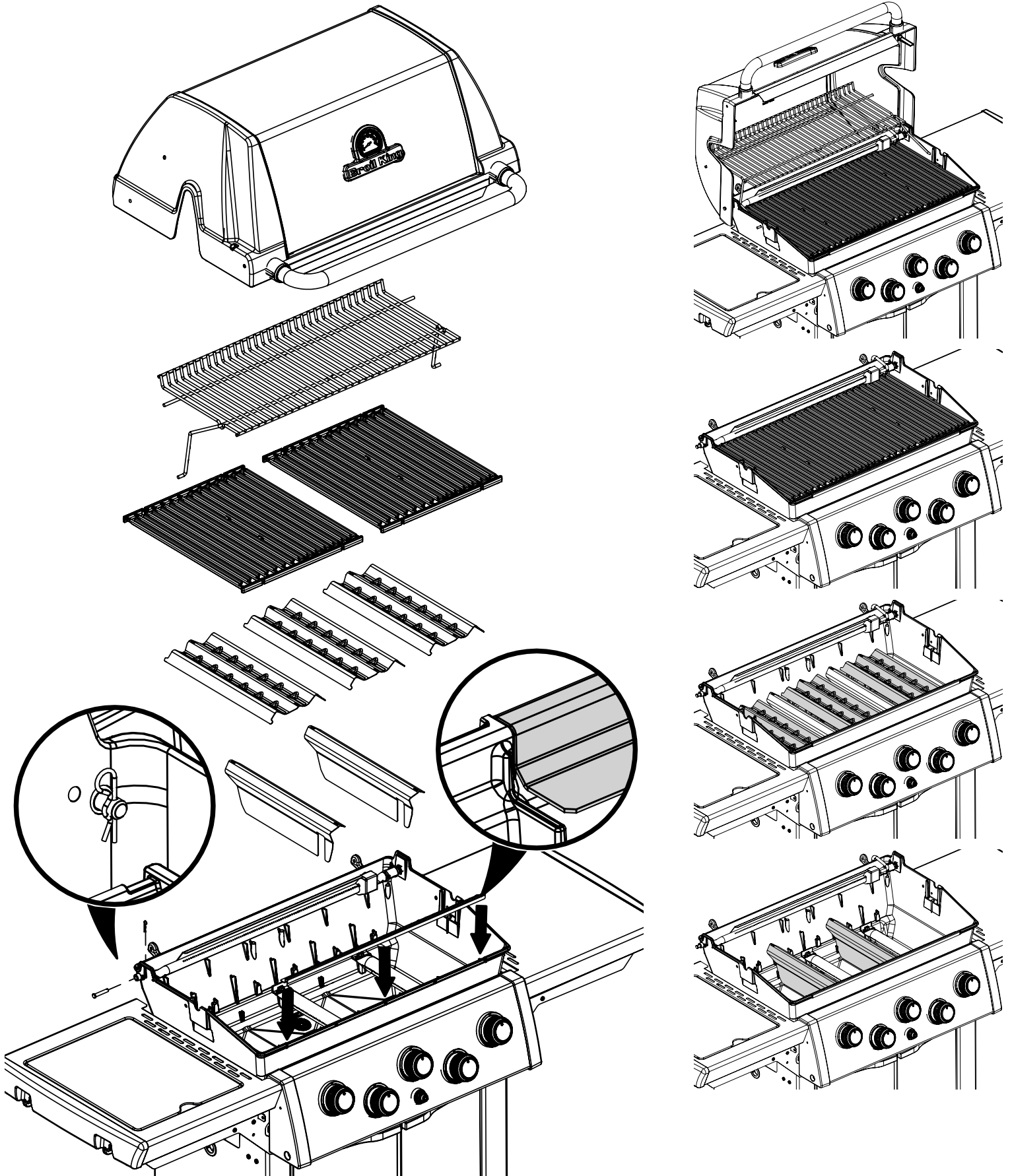


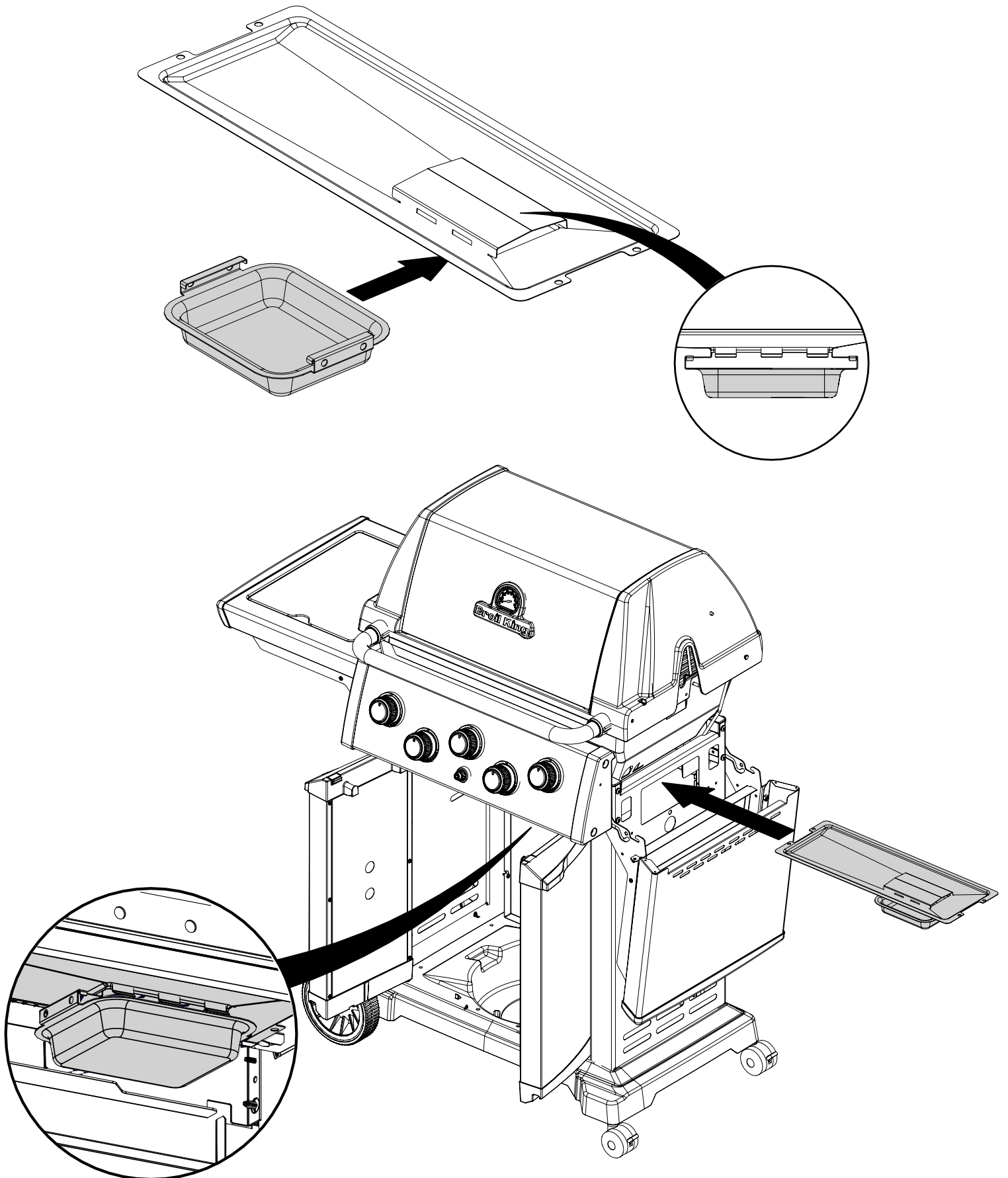
14

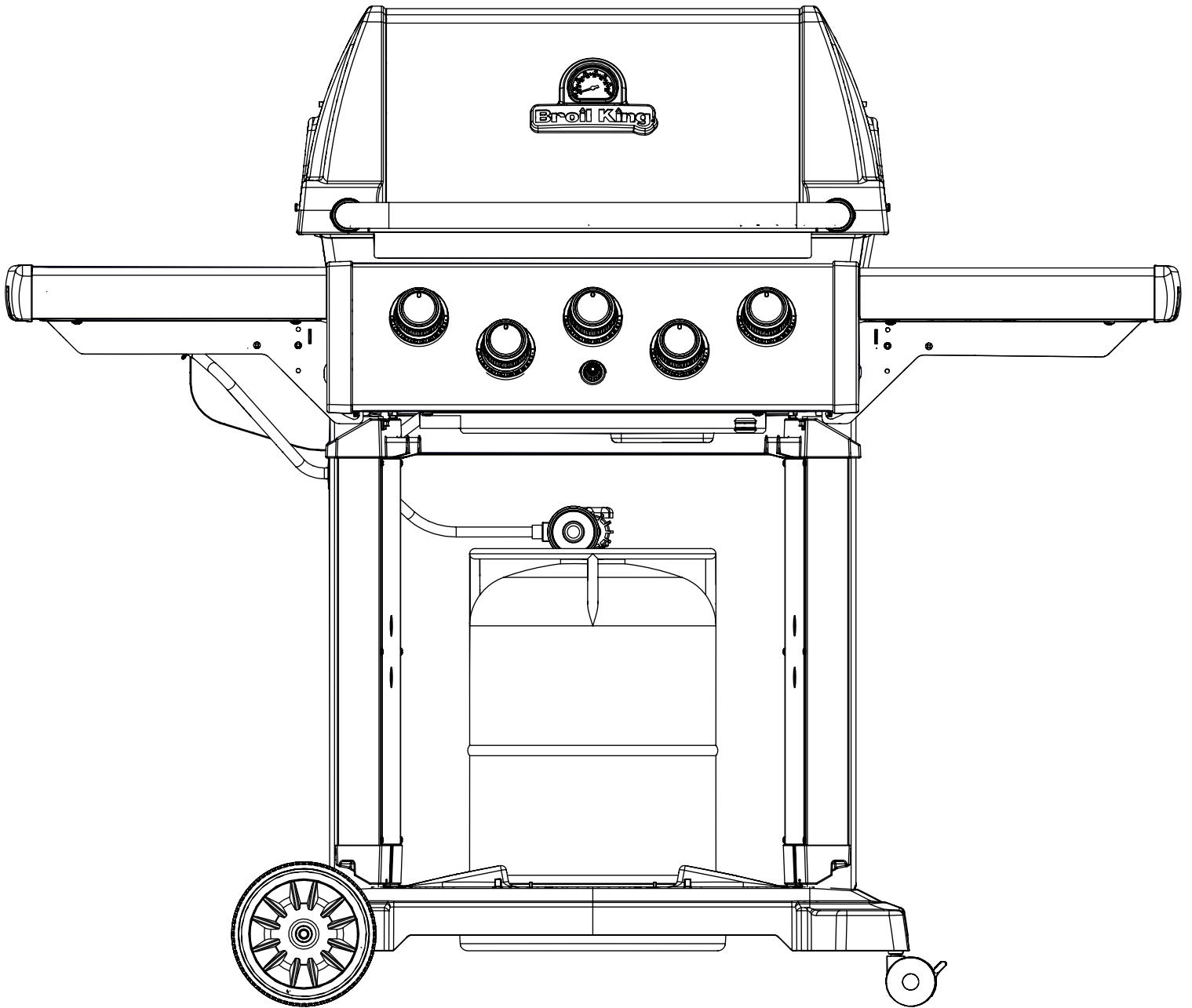


15

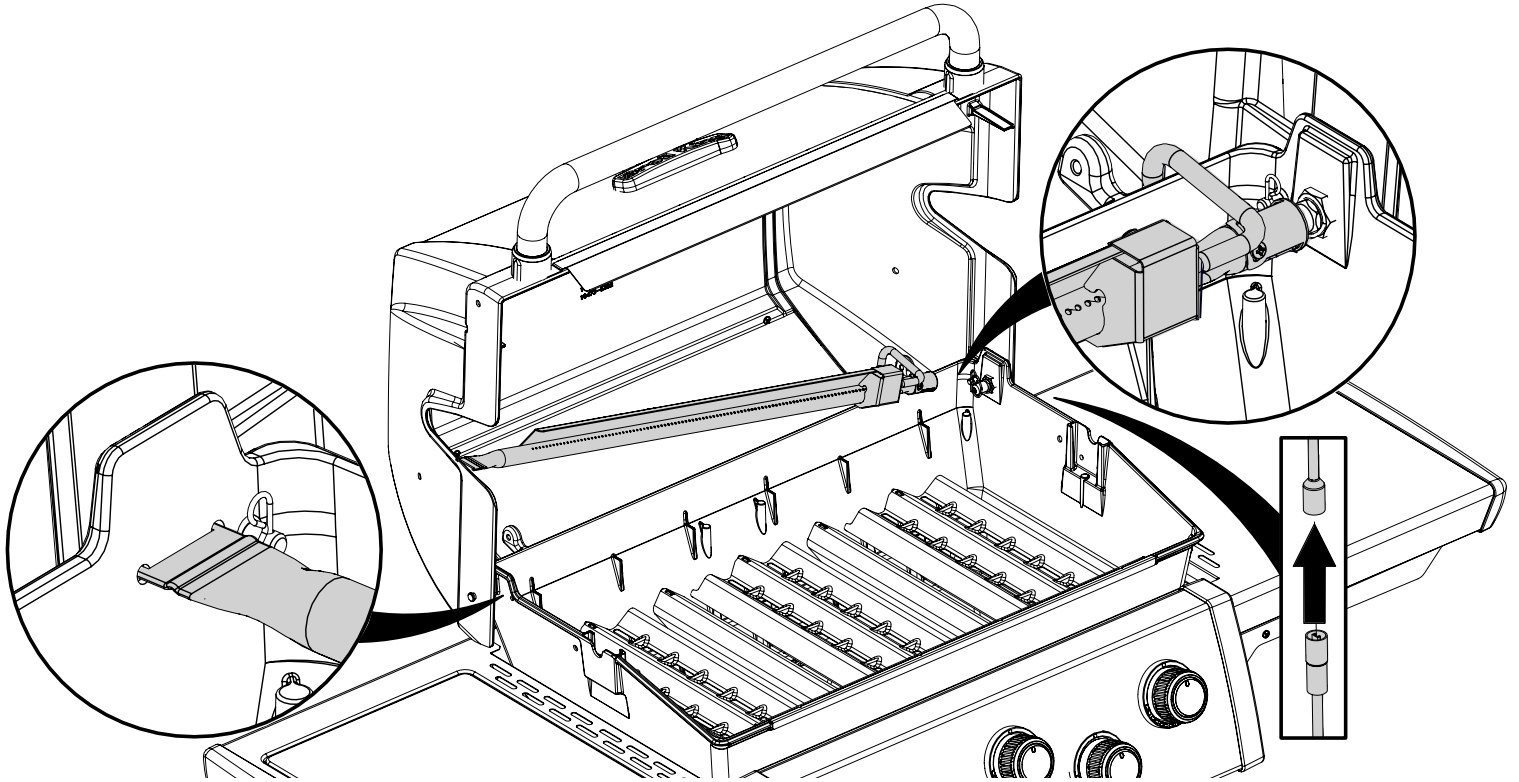
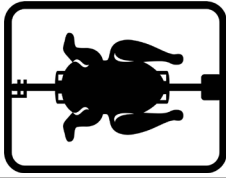
(2)  (2) 



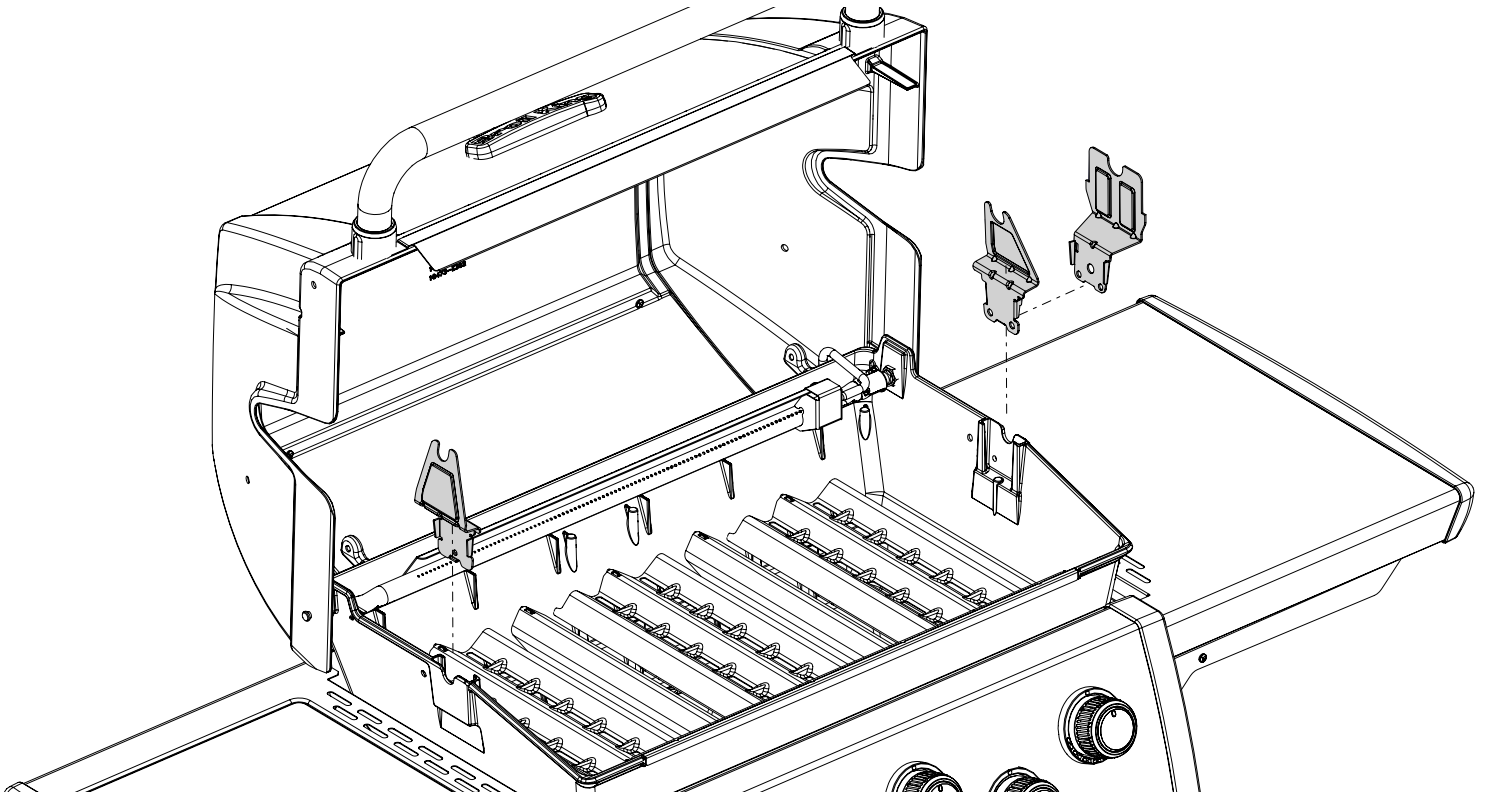




18



19



20

