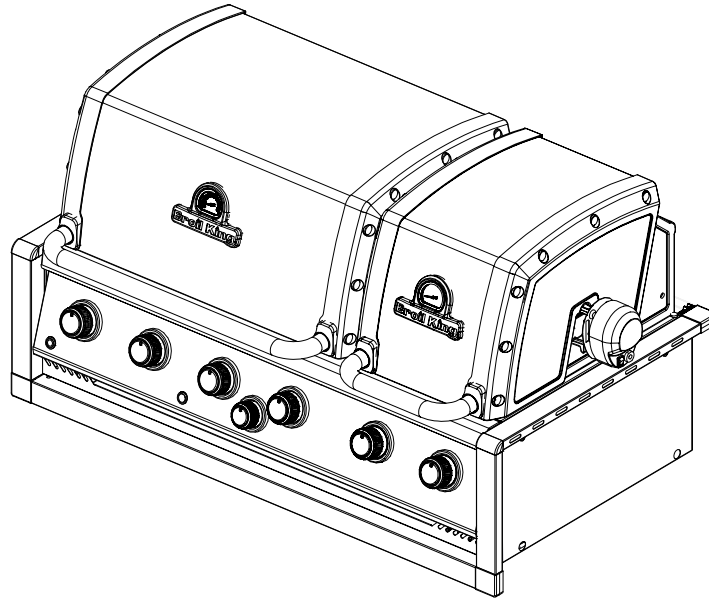
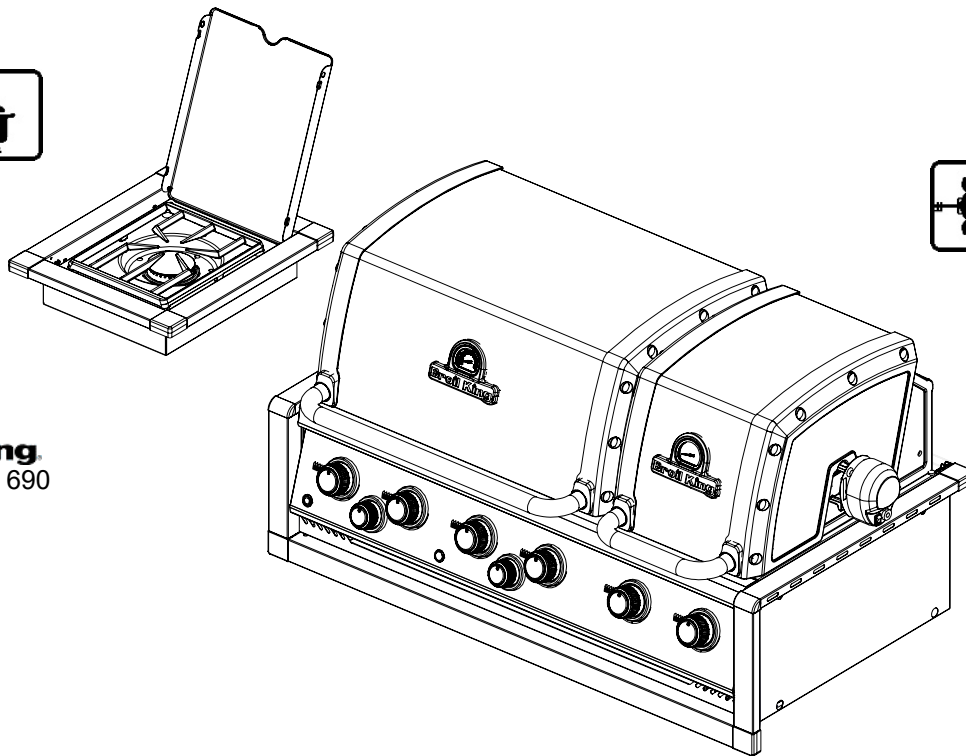


# Broil King®

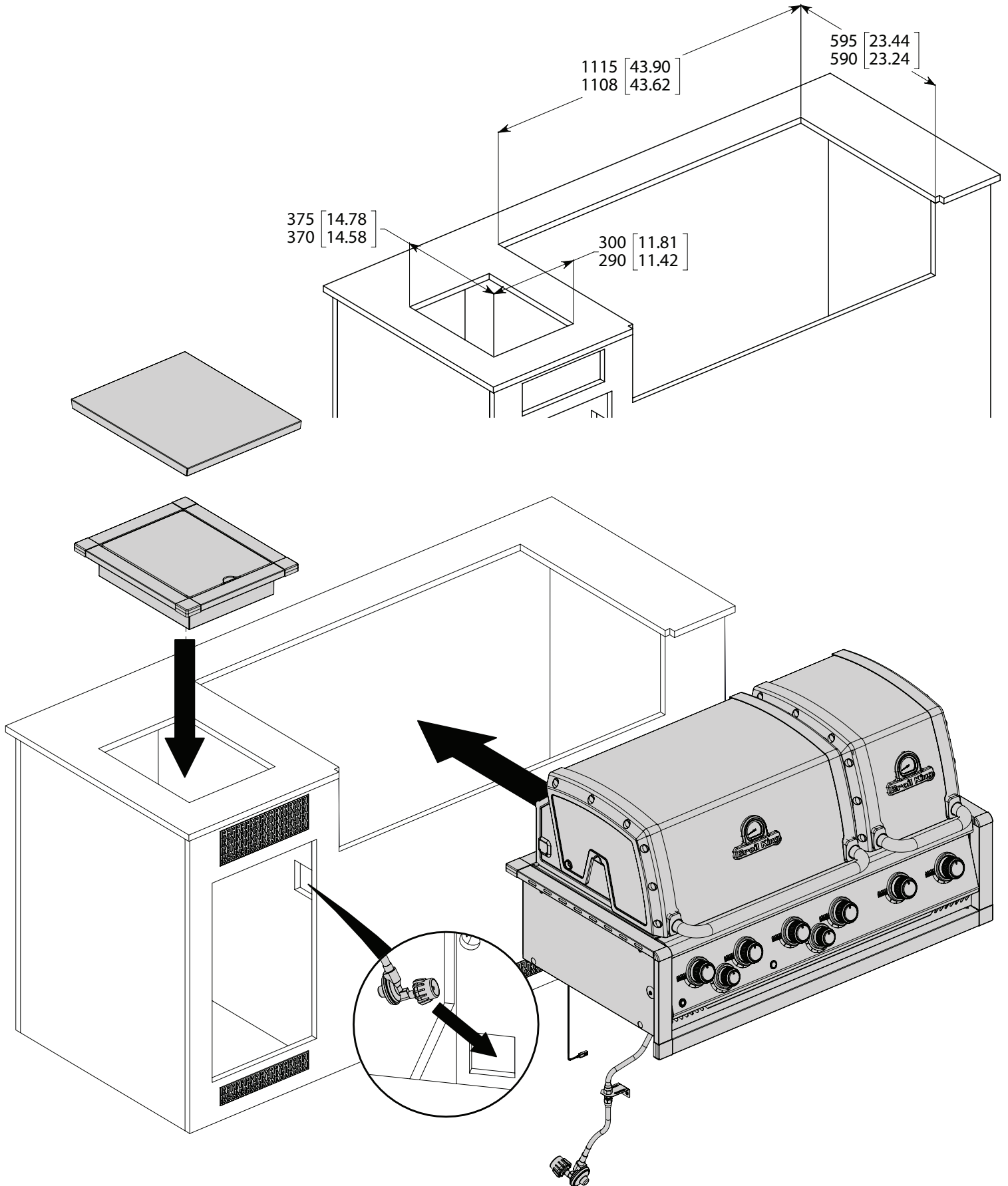
**Broil King.**  
IMPERIAL S 670  
9970-72  
9970-73  
9970-76



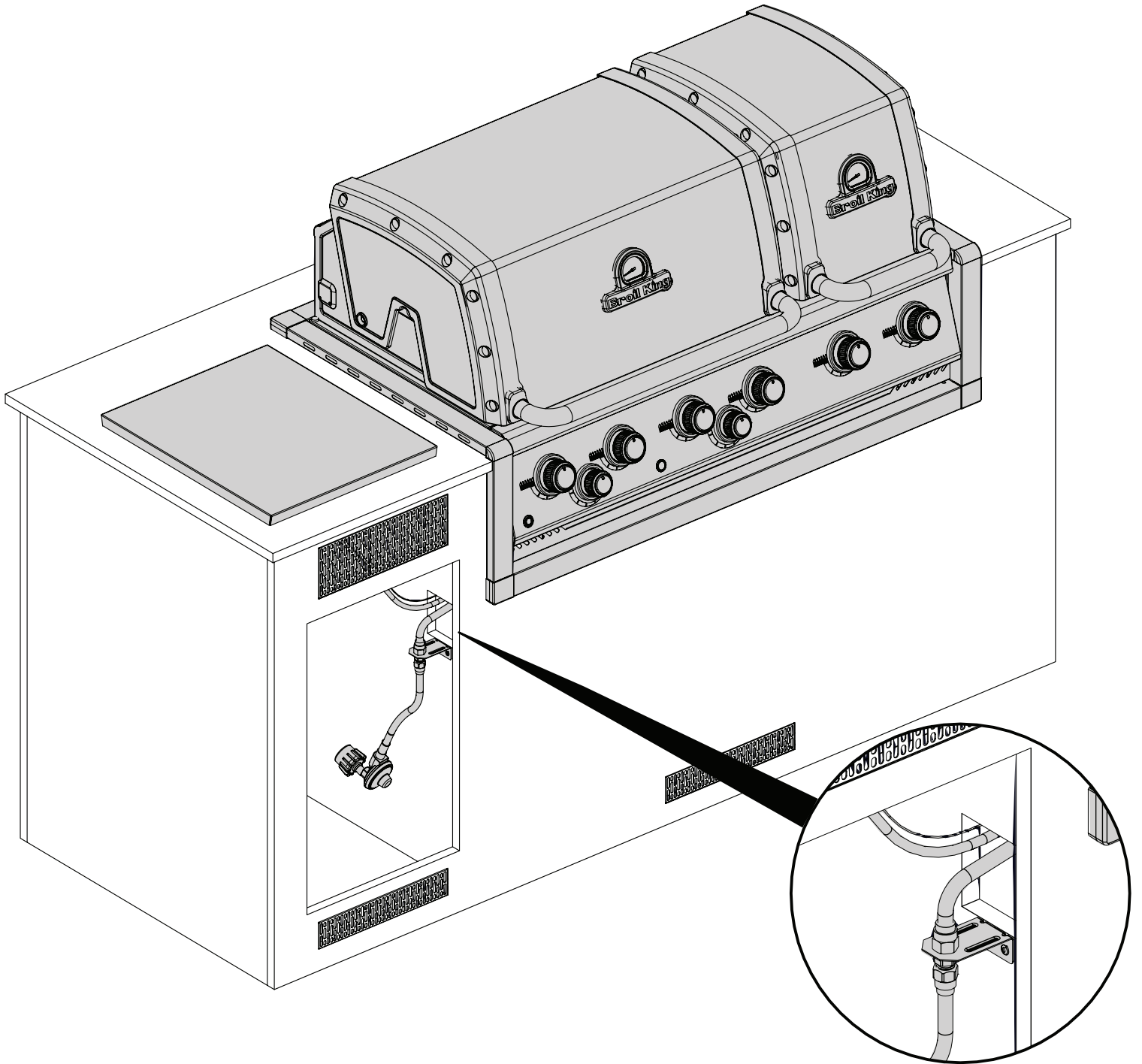
**Broil King.**  
IMPERIAL S 690  
9970-82  
9970-83  
9970-86



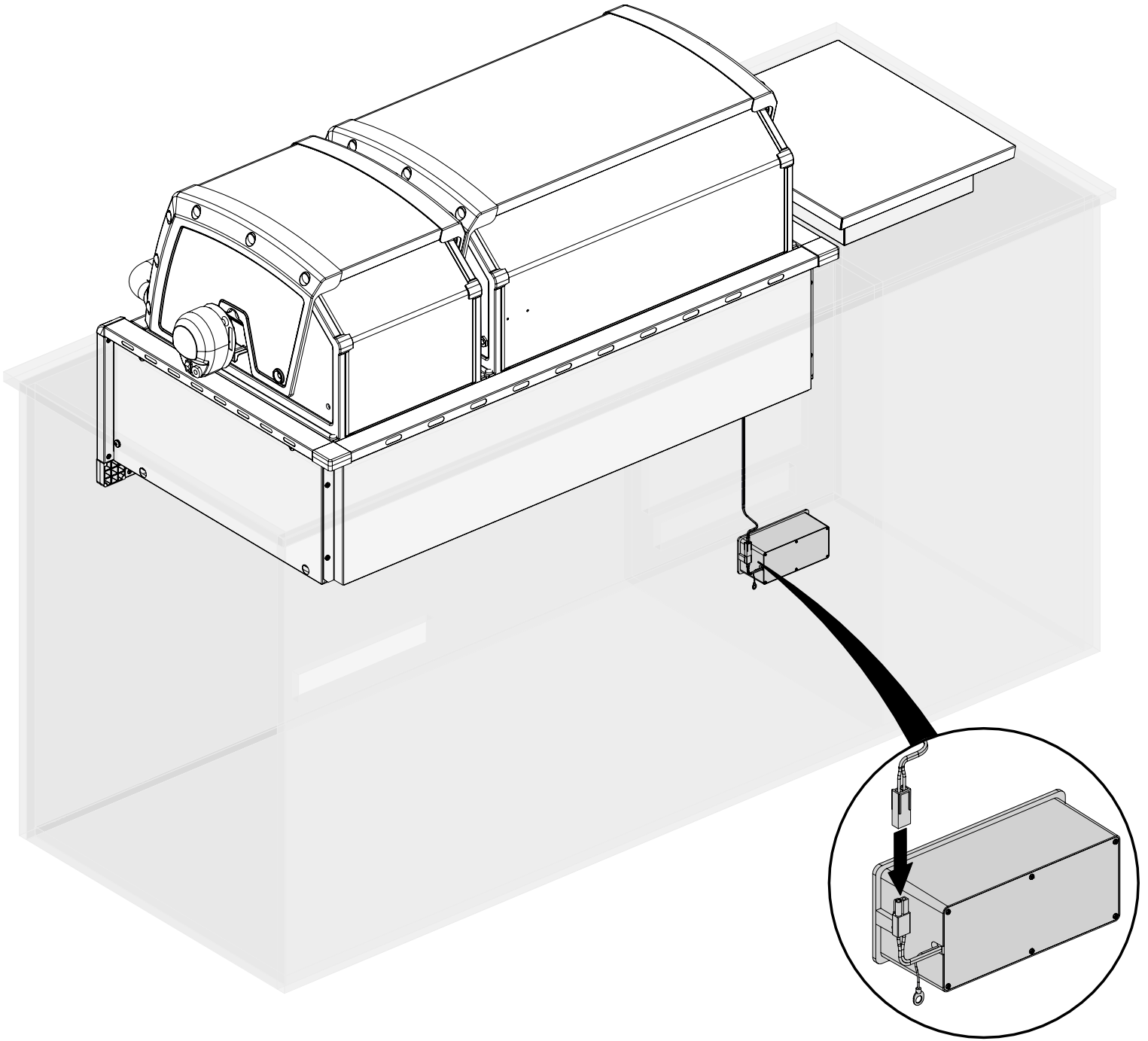
# 1



2

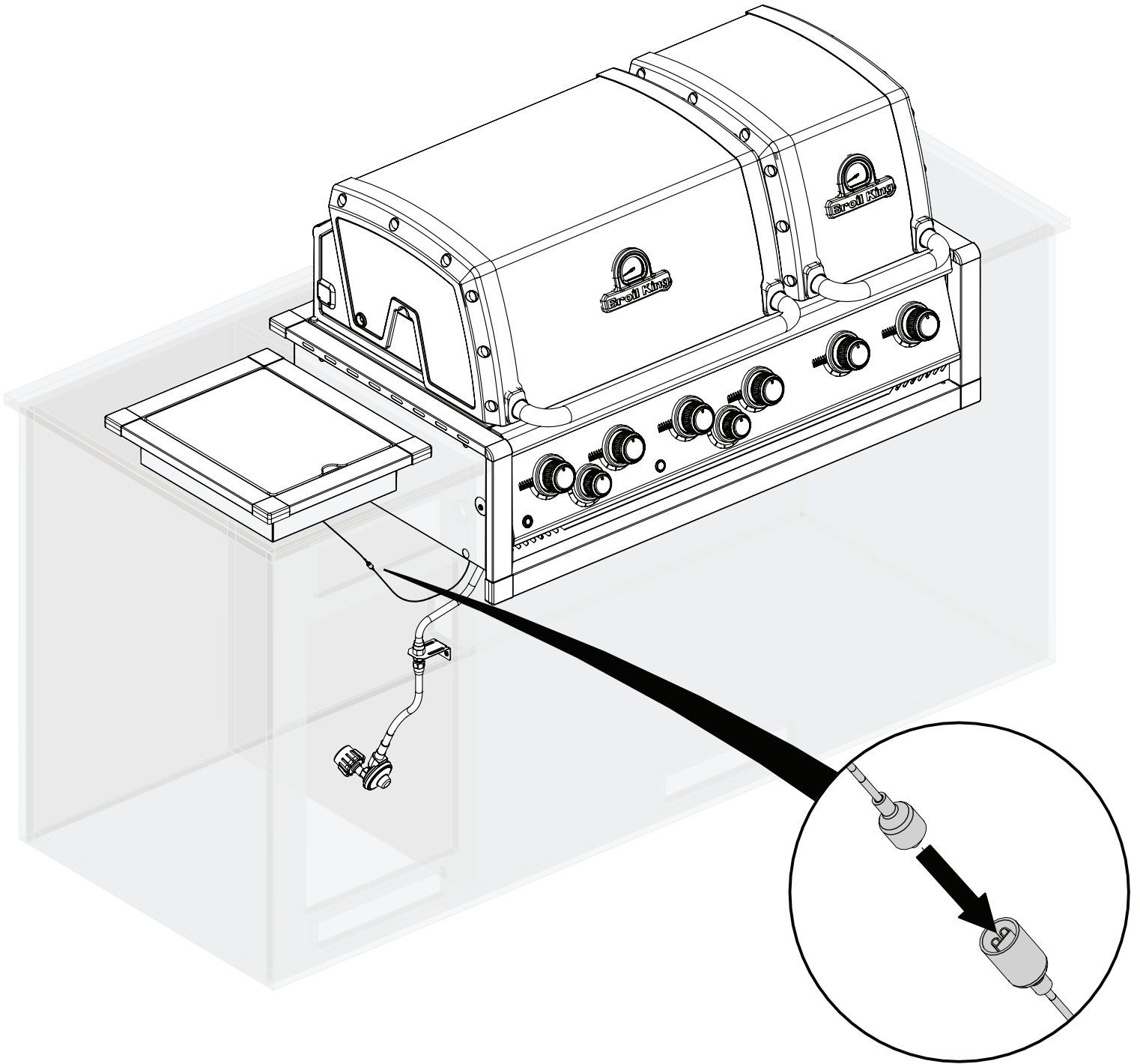


3





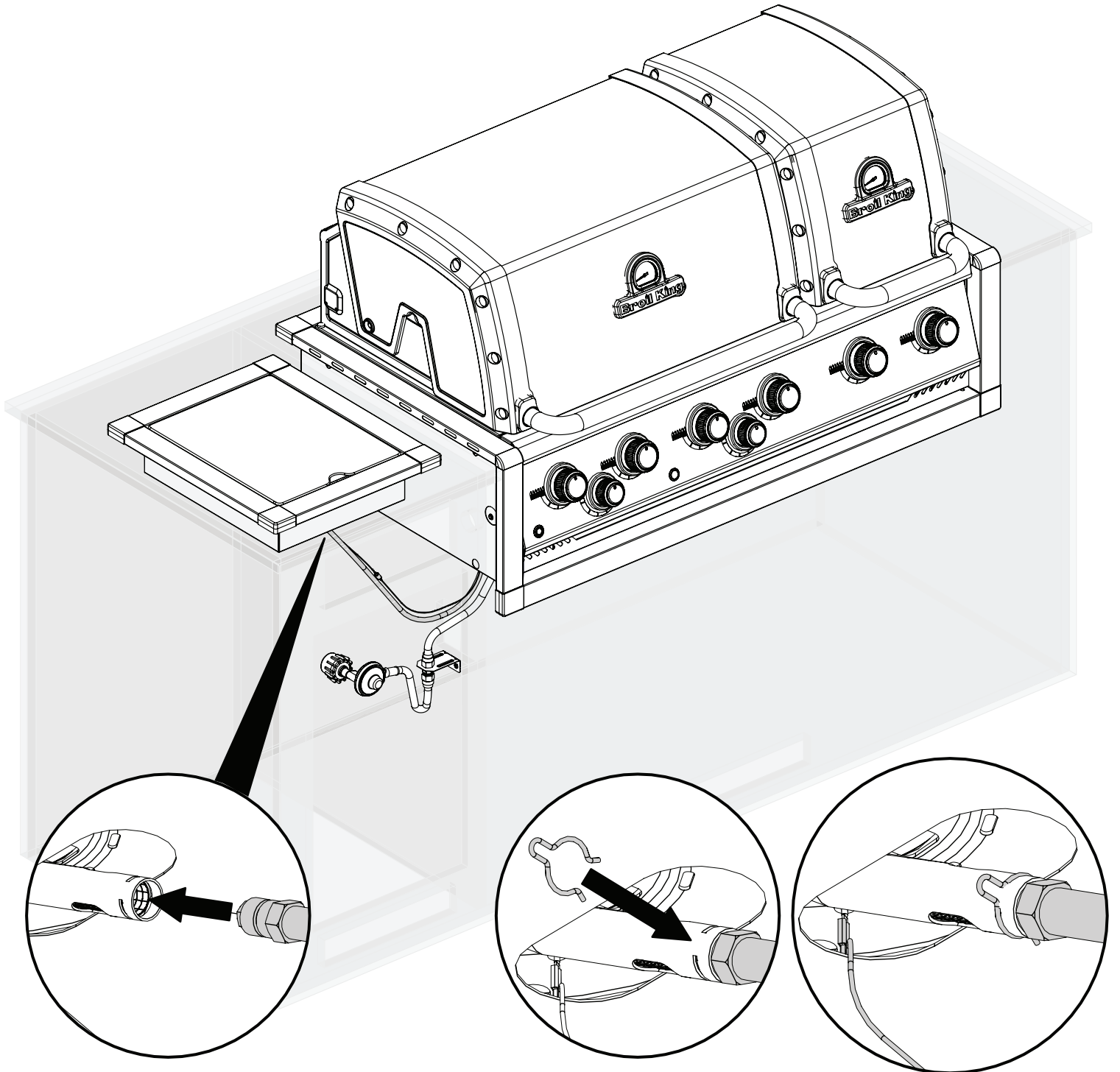
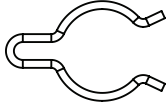
4



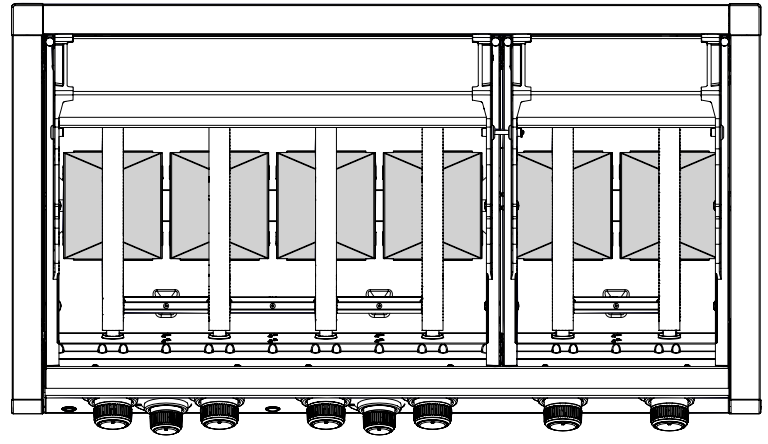
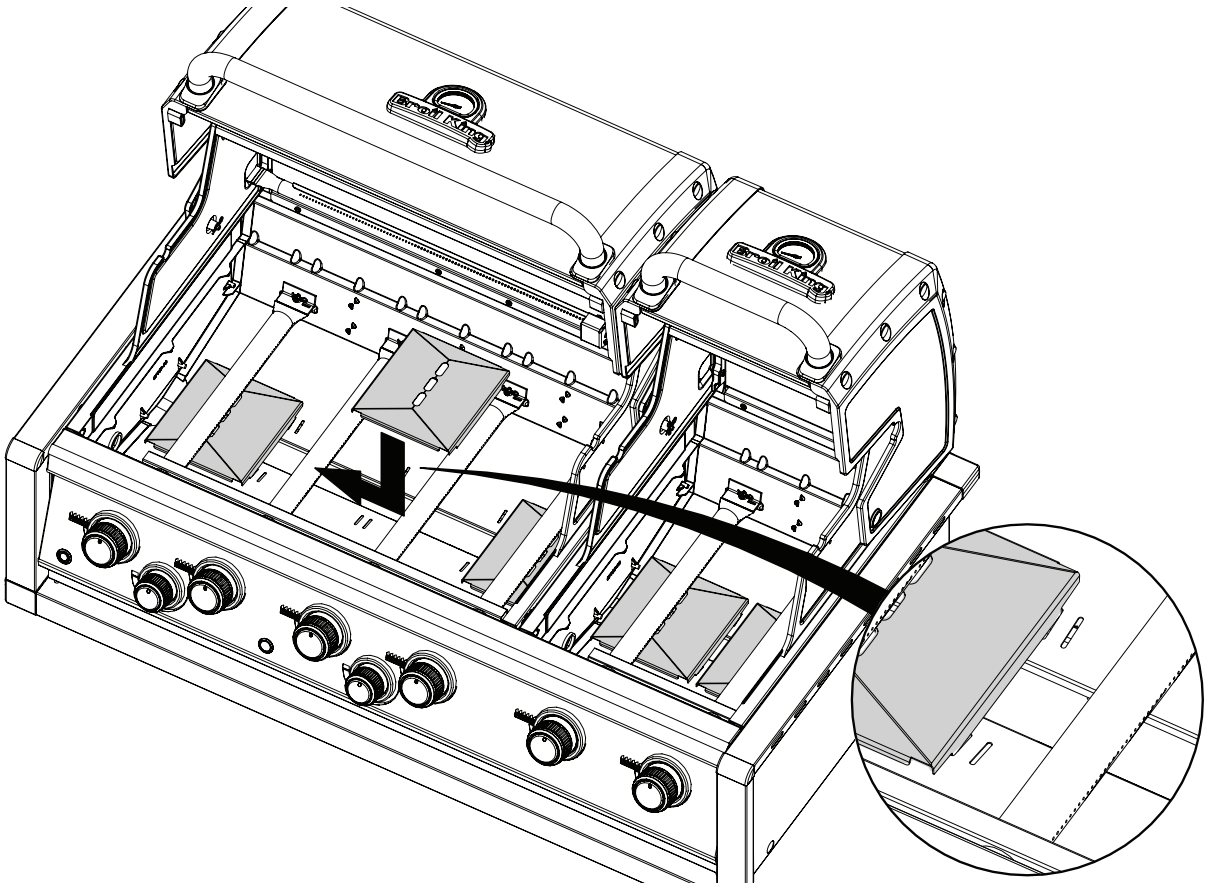
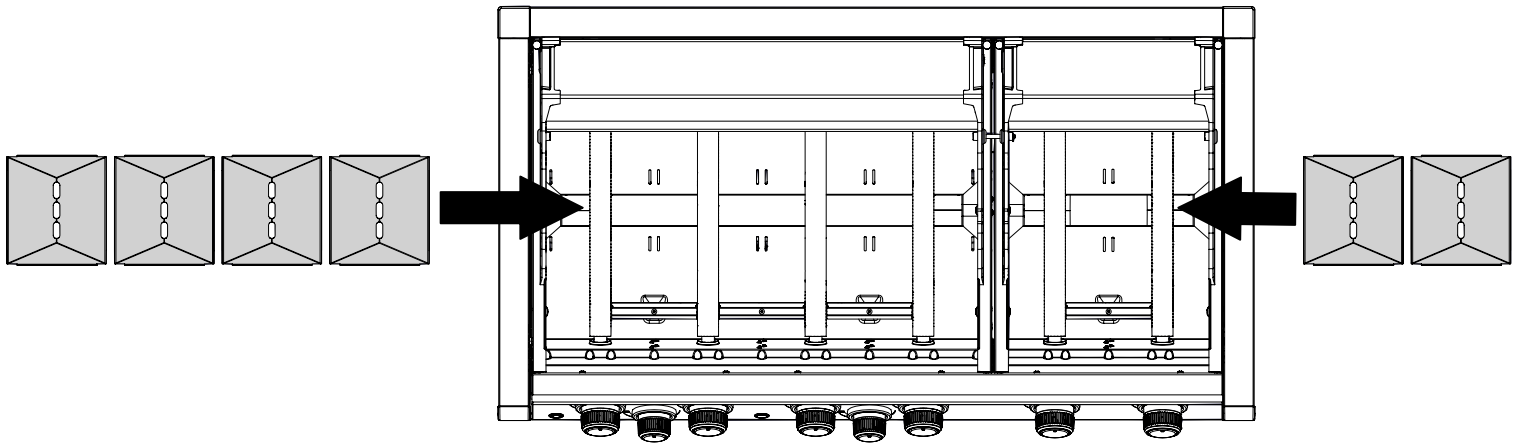
5



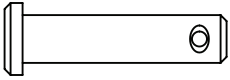
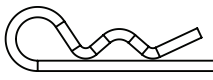
(1)

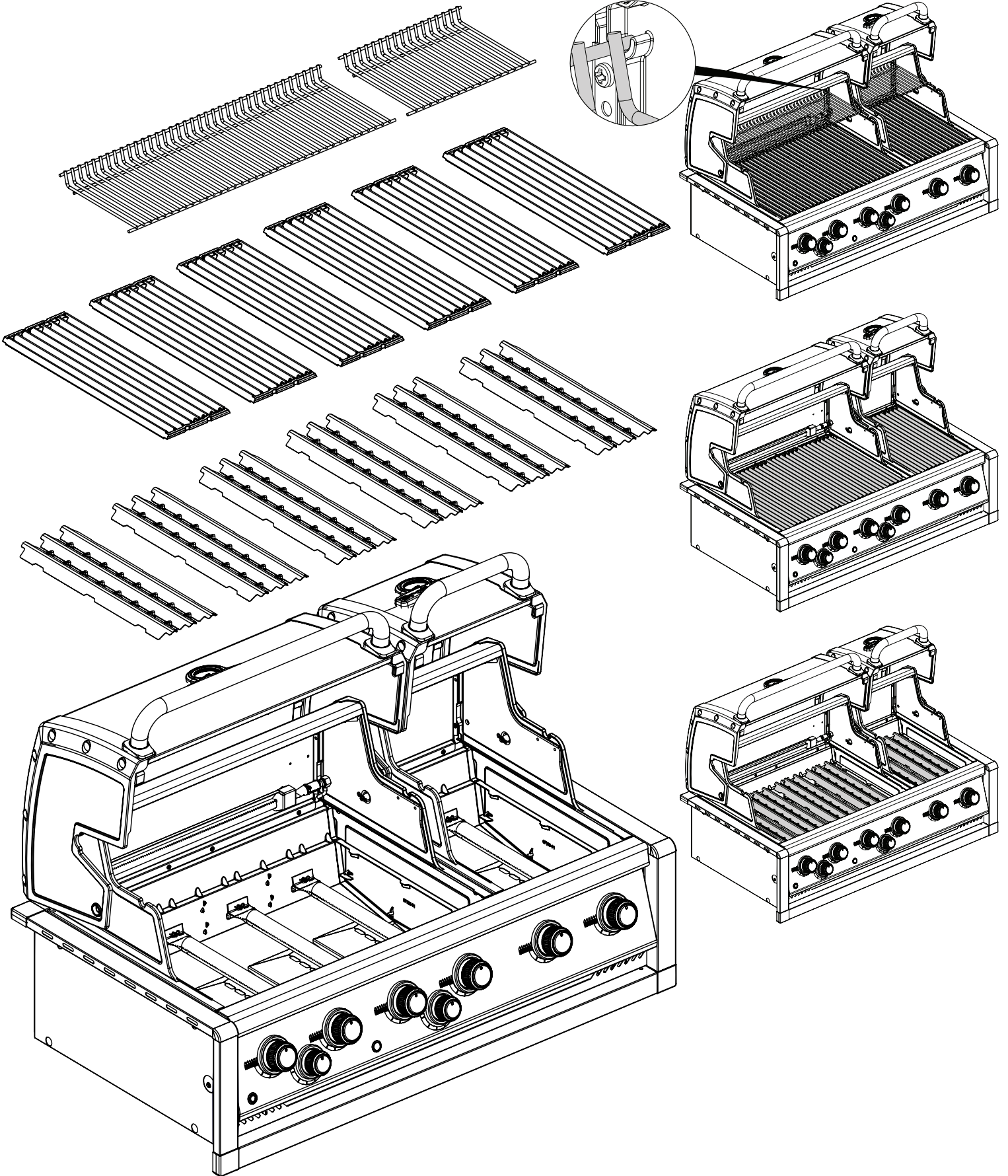


6

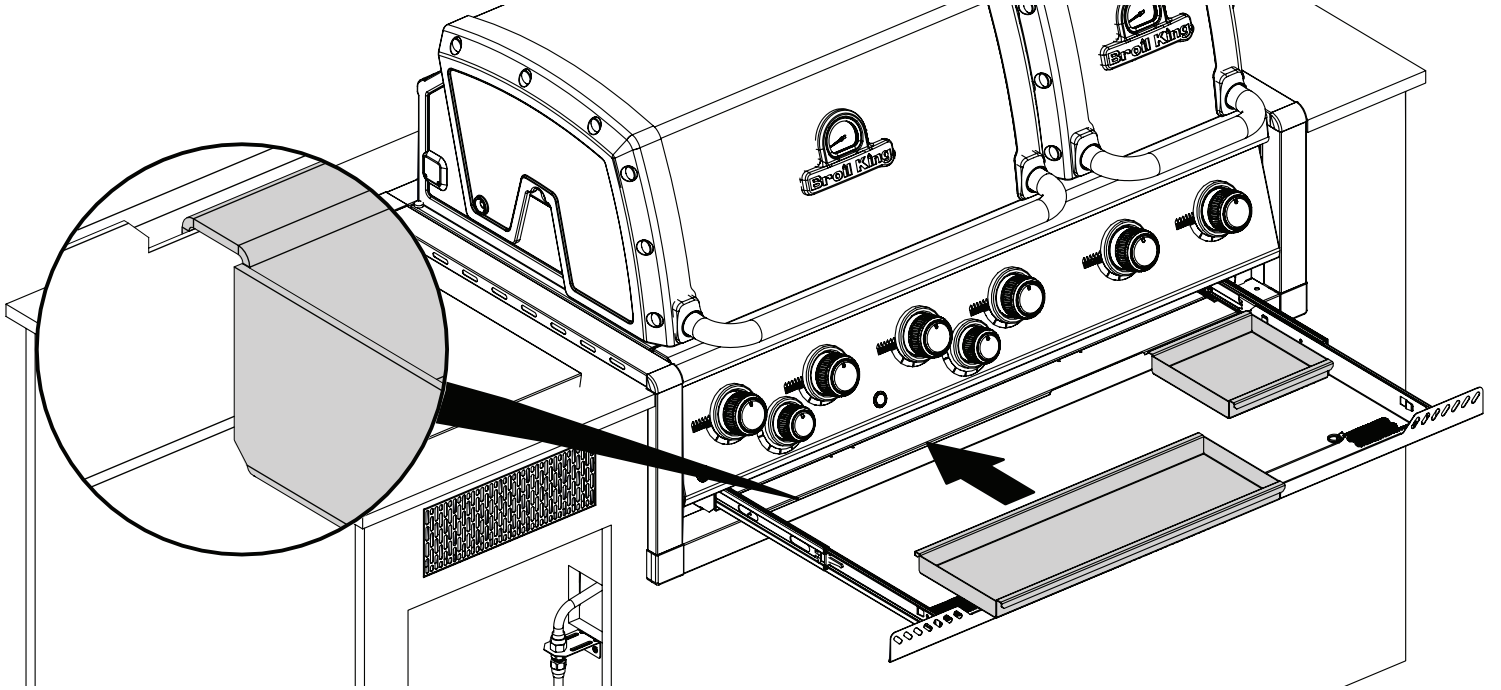


# 7

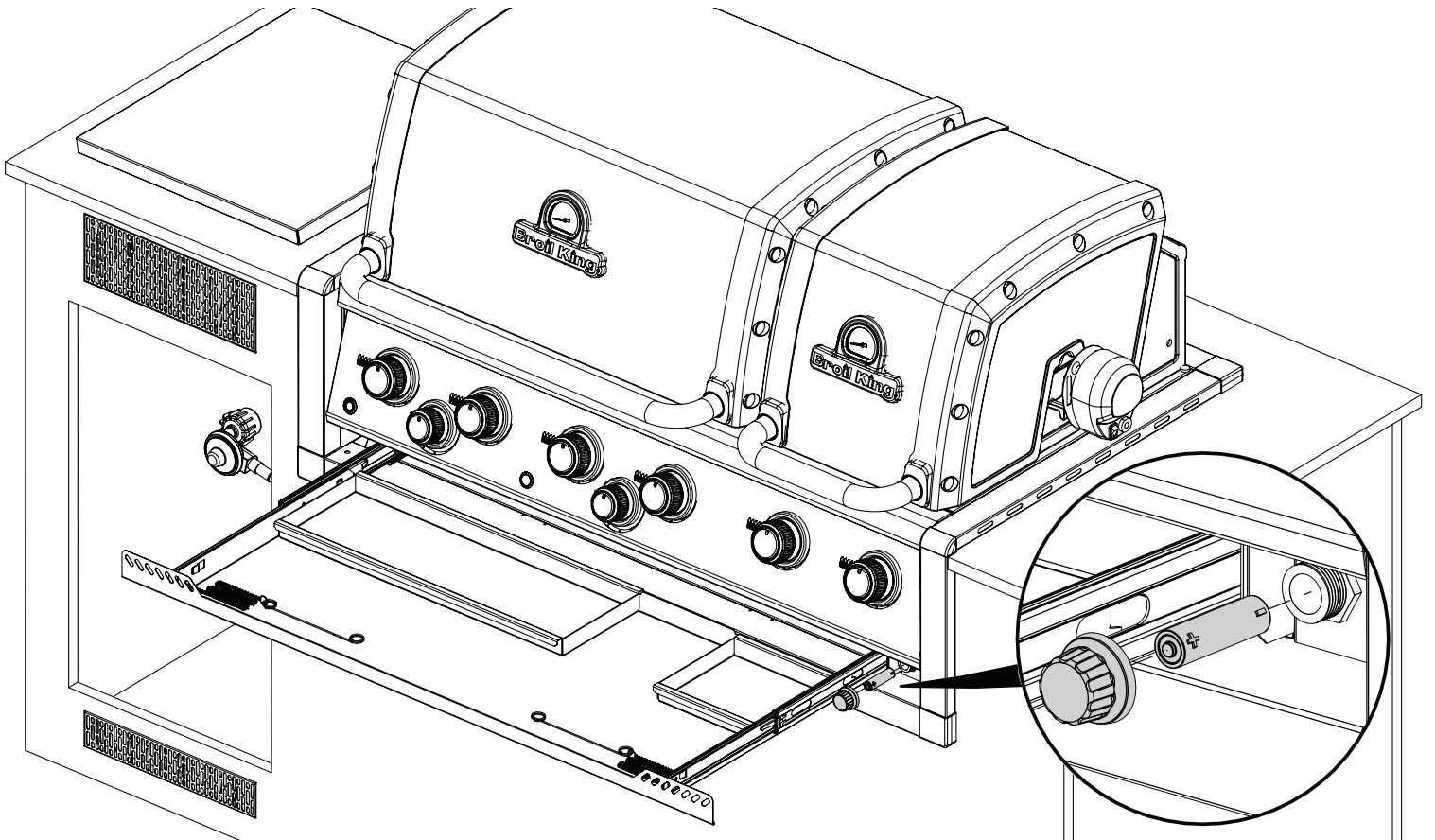
(2)  (2) 



8

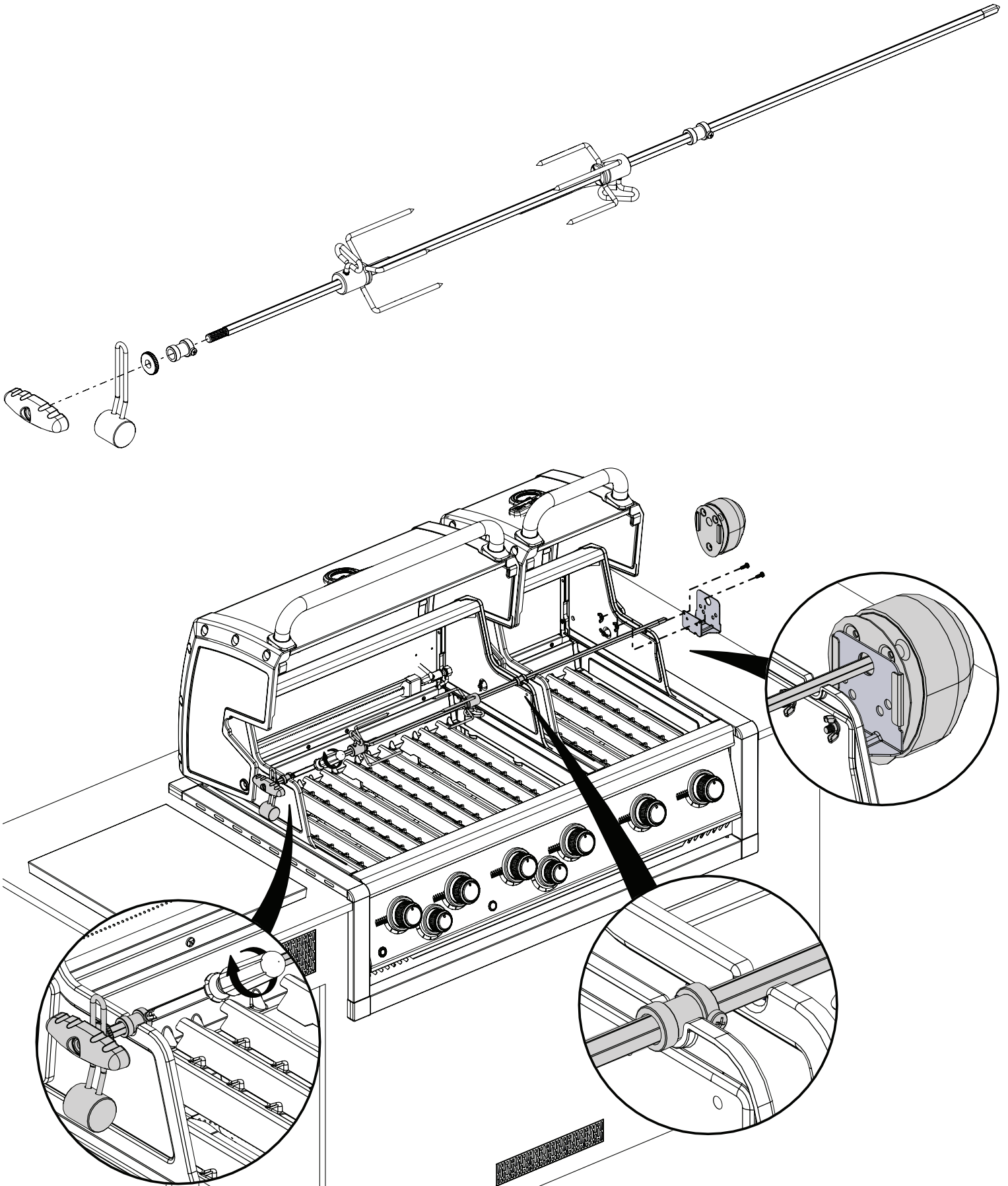
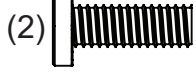
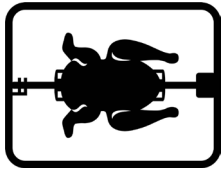


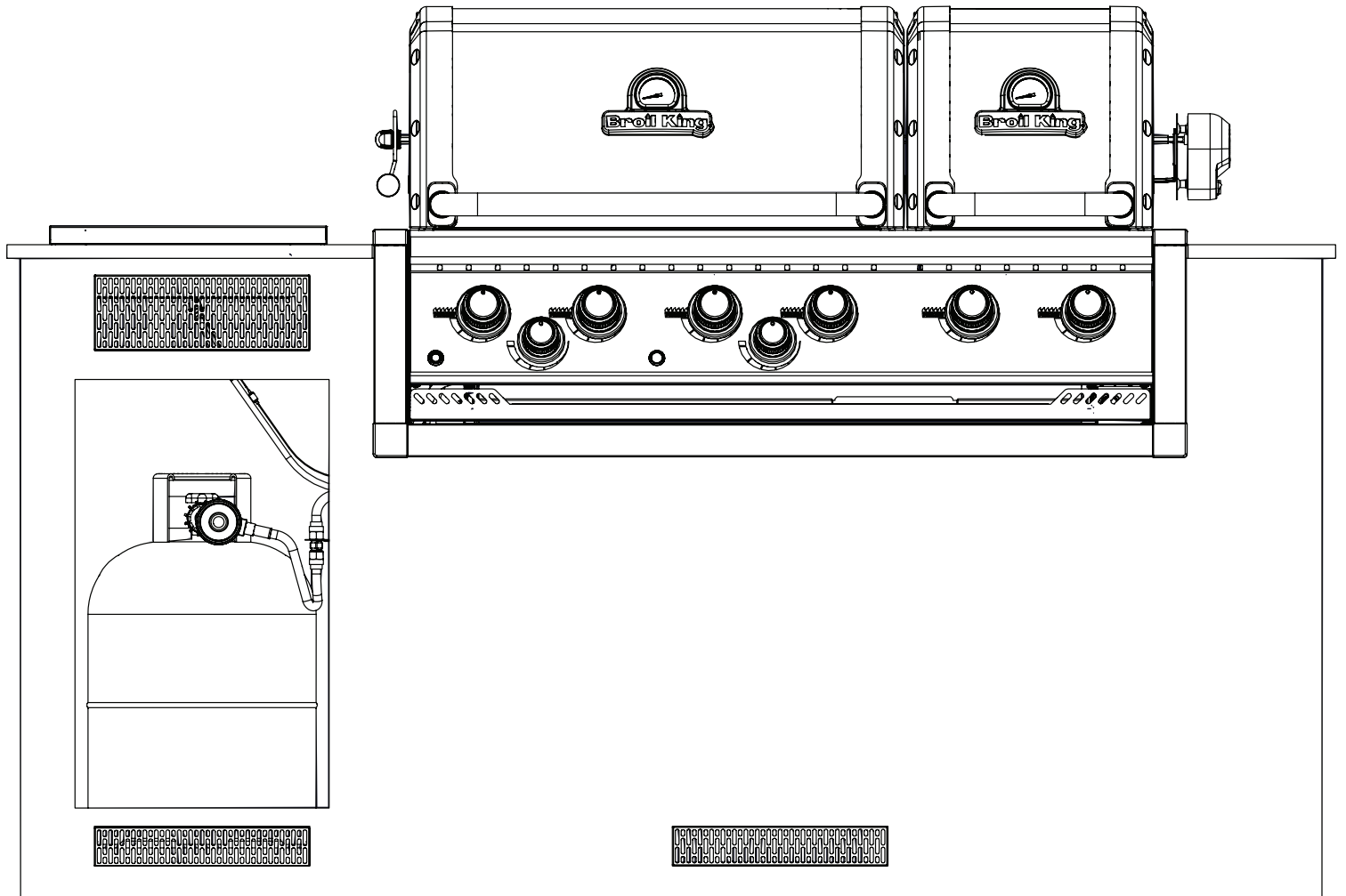
9





# 10





**PARTS LIST**

KEY #	ITEM #	DESCRIPTION	9970-72DE	9970-73CH	9970-76CH	9970-82DE	9970-83CH	9970-86CH
			9970-73EU	9970-76DE	9970-83EU	9970-86DE		
			9970-73UK	9970-76EU	9970-76UK		9970-83UK	9970-86EU
								9970-86UK
1	77008-703	FIRE BOX ASSEMBLY	1	1	1	1	1	1
1A	77003-703	FIRE BOX ASSEMBLY	1	1	1	1	1	1
2	86005-303	LID ASSEMBLY - S.S	1	1	1	1	1	1
2A	86003-303	LID ASSEMBLY - S.S	1	1	1	1	1	1
5	27249-904	GREASE SHIELD	6	6	6	6	6	6
7	Y-11544	BURNER SCREW	6	6	6	6	6	6
8	S21242	BURNER CLIP	6	6	6	6	6	6
18	22005-283	CAST STAINLESS STEEL GRID	6	6	6	6	6	6
20	22005-992	GRID - WARMING RACK	1	1	1	1	1	1
20A	22003-992	GRID - WARMING RACK	1	1	1	1	1	1
22	22025-903	COLLECTOR BOX	1	1	1	1	1	1
22A	22223-014A	COLLECTOR BOX	1	1	1	1	1	1
25	22909-104D	BURNER	6	•	•	6	•	•
	22909-104E	BURNER	•	6	•	•	6	•
	22909-104NGE	BURNER	•	•	6	•	•	6
26	22001-769	CONTROL KNOB	6	6	6	6	6	6
26A	22001-669	CONTROL KNOB	1	1	1	2	2	2
27	22002-264	CONTROL BEZEL	6	6	6	6	6	6
27A	22001-164	CONTROL BEZEL	1	1	1	2	2	2
28	27028-473	CONTROL COVER	1	1	1	•	•	•
	27028-493	CONTROL COVER	•	•	•	1	1	1
32	10111-16A	PIG TAIL HOSE ASSEMBLY	2	2	2	2	2	2
34	S13475-073	HOSE-SIDE BURNER	•	•	•	1	•	•
	S13475-079	HOSE-SIDE BURNER	•	•	•	•	1	•
	S13475-109	HOSE-SIDE BURNER	•	•	•	•	•	1
34A	Y-11230	COTTER PIN	•	•	•	1	1	1
35	79018-052	CONTROL ASSEMBLY	1	•	•	•	•	•
	79018-053	CONTROL ASSEMBLY	•	1	•	•	•	•
	79018-056	CONTROL ASSEMBLY	•	•	1	•	•	•
	79018-072	CONTROL ASSEMBLY	•	•	•	1	•	•
	79018-075	CONTROL ASSEMBLY	•	•	•	•	1	•
	79018-076	CONTROL ASSEMBLY	•	•	•	•	•	1
36	70342-20	ELECTRODE – SIDE BURNER	•	•	•	1	1	1
36A	70342-63	ELECTRODE – SIDE BURNER	•	•	•	1	1	1
37	20809-957	TUBE-REAR BURNER ASSY	1	1	1	1	1	1
38	Y-11990	HEX NUT	1	1	1	1	1	1
39	S15508	ELECTRODE - REAR BURNER	1	1	1	1	1	1
40	10153-45	NG HOSE ADAPTER	•	•	1	•	•	1
43	10342-E38	ELECTRODE	1	1	1	1	1	1
43A	10342-E22	ELECTRODE	1	1	1	1	1	1
43B	10342-E13	ELECTRODE	1	1	1	1	1	1
44	10342-44	ELECTRONIC IGNITOR	1	1	1	•	•	•
	10342-45	ELECTRONIC IGNITOR	•	•	•	1	1	1
44A	25070-927	IGNITOR WIRE	1	1	1	1	1	1
44B	25070-93	IGNITOR BUTTON	1	1	1	1	1	1
45	72039-903	IGNITOR BRACKET	1	1	1	1	1	1
46	72049-603	IGNITOR SHIELD	1	1	1	1	1	1
47	71209-033	TRIM FRONT SIDE	2	2	2	2	2	2
48	72053-007	GREASE PAN	1	1	1	1	1	1
48A	72055-007	GREASE PAN	1	1	1	1	1	1
49	71068-003R	DRAWER	1	1	1	1	1	1
51	22209-904	FLAV-R-WAVE ®	6	6	6	6	6	6
52	73170-013	TRIM SIDE - SIDE BURNER	•	•	•	2	2	2
53	73170-023	TRIM FRONT - SIDE BURNER	•	•	•	2	2	2
56	24005-12A	HANDLE	1	1	1	1	1	1
56A	24003-12A	HANDLE	1	1	1	1	1	1
58	54009-936	HANDLE BEZEL	4	4	4	4	4	4
59	10081-BK630	NAMEPLATE	2	2	2	2	2	2
60	10571-6	HEAT INDICATOR	2	2	2	2	2	2



**PARTS LIST**

KEY #	ITEM #	DESCRIPTION	9970-72DE	9970-73CH	9970-76CH	9970-82DE	9970-83CH	9970-86CH
				9970-73EU	9970-76DE		9970-83EU	9970-86DE
				9970-73UK	9970-76EU		9970-83UK	9970-86EU
					9970-76UK			9970-86UK
65	20005-000	MATCH LIGHT CHAIN	2	2	2	2	2	2
74	Y-99100	DRAWER SLIDE	2	2	2	2	2	2
80	71109-033R	TRIM SIDE - LH	1	1	1	1	1	1
81	71109-043R	TRIM SIDE - RH	1	1	1	1	1	1
84	70208-013	TRIM FRONT	1	1	1	1	1	1
88	71308-023	TRIM REAR	1	1	1	1	1	1
90	71628-003	BASE	1	1	1	1	1	1
101	Y-12130	CORNER CAP - 90 DEGREE	8	8	8	8	8	8
102	Y-12131	CORNER CAP	2	2	2	2	2	2
115	73109-051	SIDE BURNER BASE	•	•	•	1	1	1
123	73009-353	SIDE BURNER COVER	•	•	•	1	1	1
124	23000-271	SHELF-SIDE BURNER	•	•	•	1	1	1
125	23000-253	SIDE BURNER LID	•	•	•	1	1	1
126	10390-R81A	SIDE BURNER	•	•	•	•	1	1
	10390-R81D	SIDE BURNER	•	•	•	1	•	•
128	23009-99	GRID	•	•	•	1	1	1
130	27905-354	BURNER ROTISSERIE	1	1	1	1	1	1
131	10693-095	REAR BURNER-ORIFICE	1	•	•	1	•	•
	10693-099	REAR BURNER-ORIFICE	•	1	•	•	1	•
	10693-161	REAR BURNER-ORIFICE	•	•	1	•	•	1
133	S15271	HANDLE	1	1	1	1	1	1
134	S15270	BALANCER	1	1	1	1	1	1
135	S15299	WASHER	1	1	1	1	1	1
136	S15263	BUSHING	2	2	2	2	2	2
137	S15260	SPIT ROD	1	1	1	1	1	1
138	S15287	4 PRONG FORKS	4	4	4	4	4	4
139	57039-901	ROTISSERIE BRACKET	1	1	1	1	1	1
141	Y-11559	SCREW - 1/4-20 X 3/4	8	8	8	8	8	8
142	S21127S	SCREW - #8-32 X 3/8	14	14	14	16	16	16
145	S21235	HINGE PIN	2	2	2	2	2	2
145A	10240-17	HINGE PIN	1	1	1	1	1	1
146	S21233	HITCH PIN CLIP	3	3	3	3	3	3
147	Y-11236	LID BUMPER	4	4	4	4	4	4
155	S21124	SCREW - #8-32 X 1/2	4	4	4	4	4	4
156	Y-12871	SCREW - M4 X 0.7	•	•	•	2	2	2
157	Y-12835	SCREW - #6-32 X 1/4	2	2	2	2	2	2
158	Y-12646	SCREW - SHOULDER #8 X 1/2	•	•	•	2	2	2
161	Y-29304	SCREW - #10-24 X 3/8	23	23	23	23	23	23
162	S35095	SCREW - #10-24 X 5/8	2	2	2	2	2	2
167	Y-29301	SCREW - #10-24 X 1/2	20	20	20	20	20	20
169	S21061	WING NUT	2	2	2	2	2	2
171	S15244 (UK)	MOTOR	•	0/0/1	0/0/0/1	•	0/0/1	0/0/0/1
	S15245 (CH)	MOTOR	•	1/0/0	1/0/0/0	•	1/0/0	1/0/0/0
	S15246 (EU)	MOTOR	1	0/1/0	0/1/1/0	1	0/1/0	0/1/1/0
173	S21362	SPRING	1	1	1	1	1	1
181	25070-91	LIGHT SWITCH WIRE	1	1	1	1	1	1
181A	25070-95	LIGHT SWITCH BUTTON	1	1	1	1	1	1
182	25020-71	OVEN LIGHT	3	3	3	3	3	3
183	20589-CH	TRANSFORMER PLUG	•	1/0/0	1/0/0	•	1/0/0	1/0/0/0
	20589-EU	TRANSFORMER PLUG	1	0/1/0	0/1/0	1	0/1/0	0/1/1/0
	20589-UK	TRANSFORMER PLUG	•	0/0/1	0/0/1	•	0/0/1	0/0/0/1
184	20589-90U	TRANSFORMER	1	1	1	1	1	1
185	25030-72	WIRE - OVEN LIGHT	1	1	1	1	1	1
187	25030-70	WIRE - OVEN LIGHT	1	1	1	1	1	1
186	Y-12865	BOLT 1/4-20 X 1/2	16	16	16	17	17	17
190	25020-84	WIRE - LED LIGHT	1	1	1	1	1	1
191	25020-83	WIRE - LED LIGHT	1	1	1	•	•	•
	25020-84	WIRE - LED LIGHT	•	•	•	1	1	1
193	SP11-25	LID BUMPER	4	4	4	4	4	4



