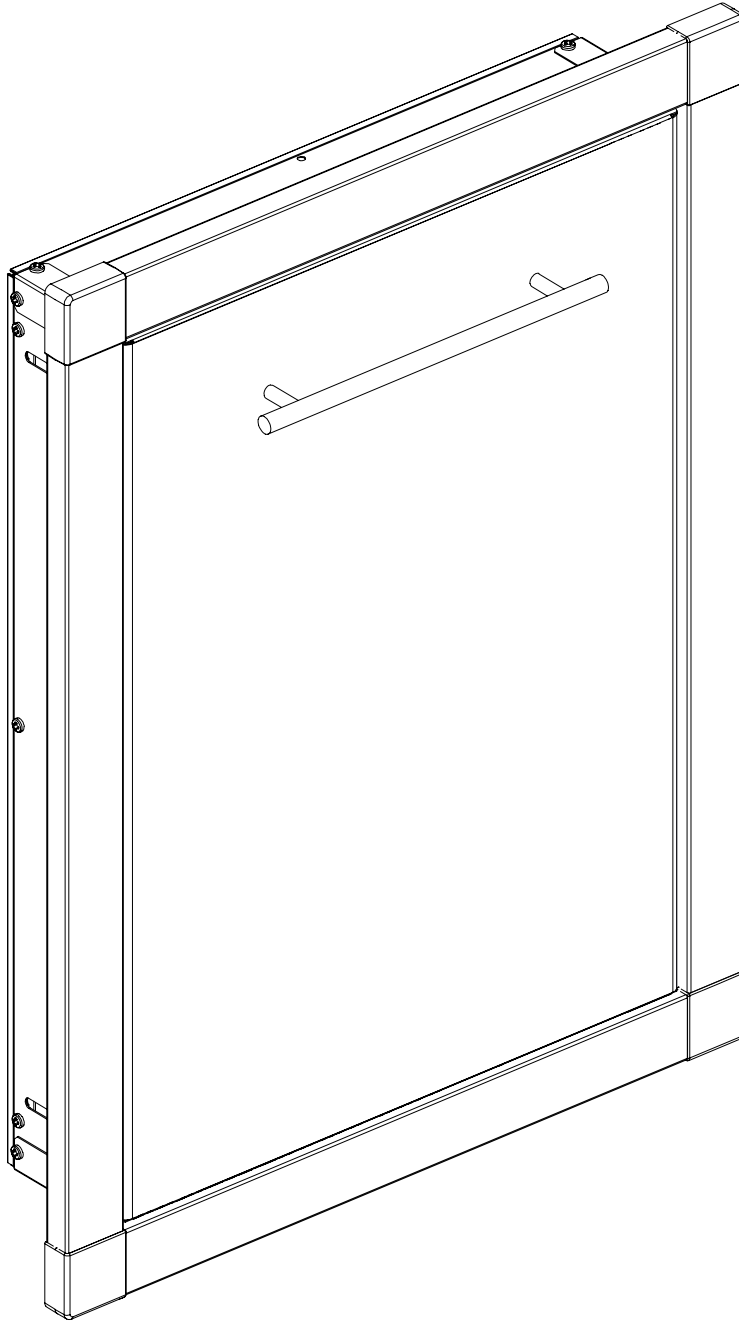


Broil King®

ASSEMBLY MANUAL & PARTS LIST - MANUEL DE MONTAGE & LISTE DE PIÈCES



Broil King
800100

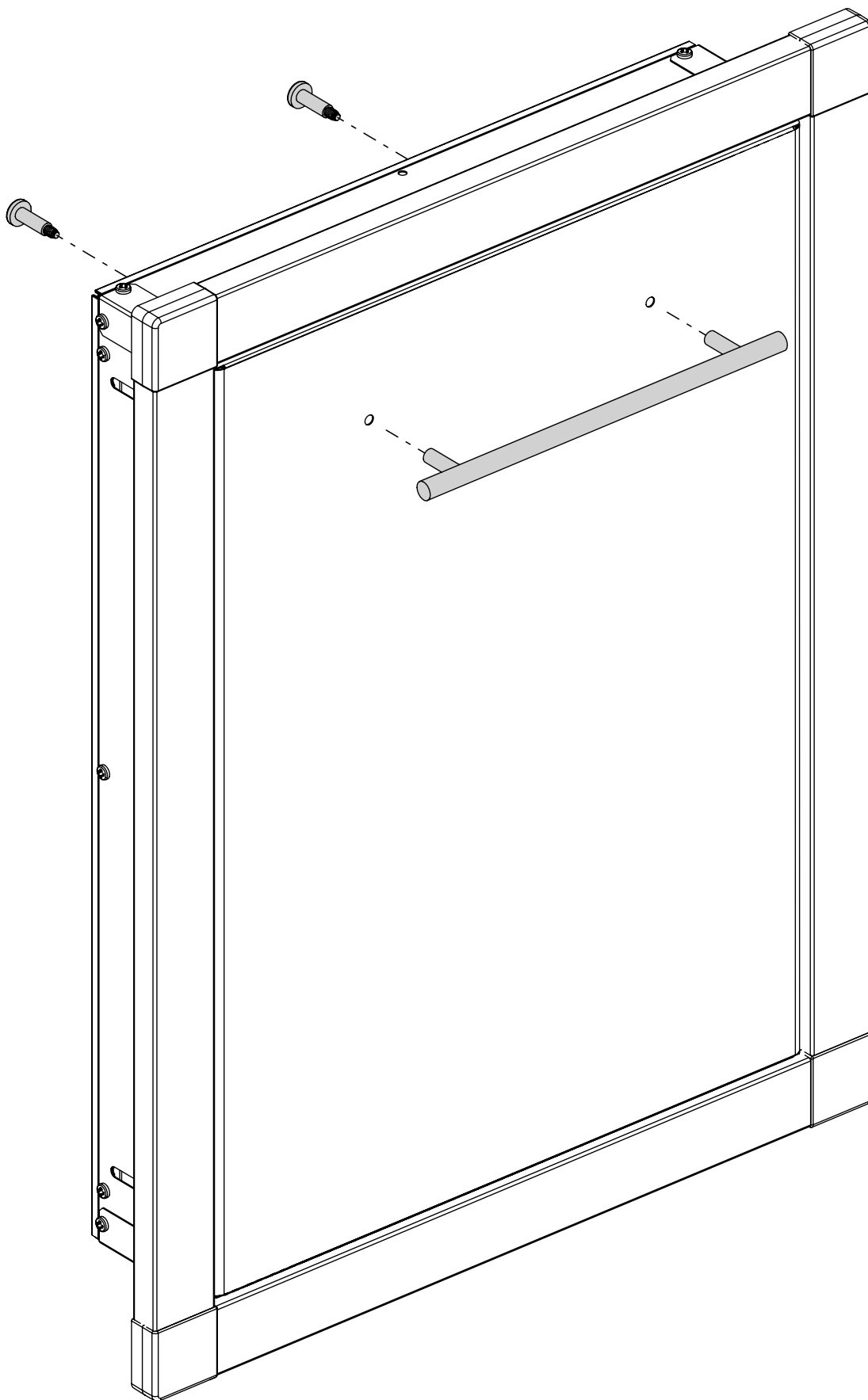
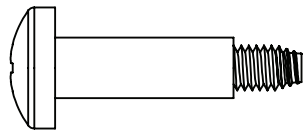
RETAIN FOR FUTURE REFERENCE - VEUILLEZ CONSERVER POUR REFERENCE ULTERIEURE

Onward
SINCE 1906
MANUFACTURING COMPANY
585 KUMPF DRIVE LIMITED
WATERLOO, ONTARIO, CANADA
N2V 1K3

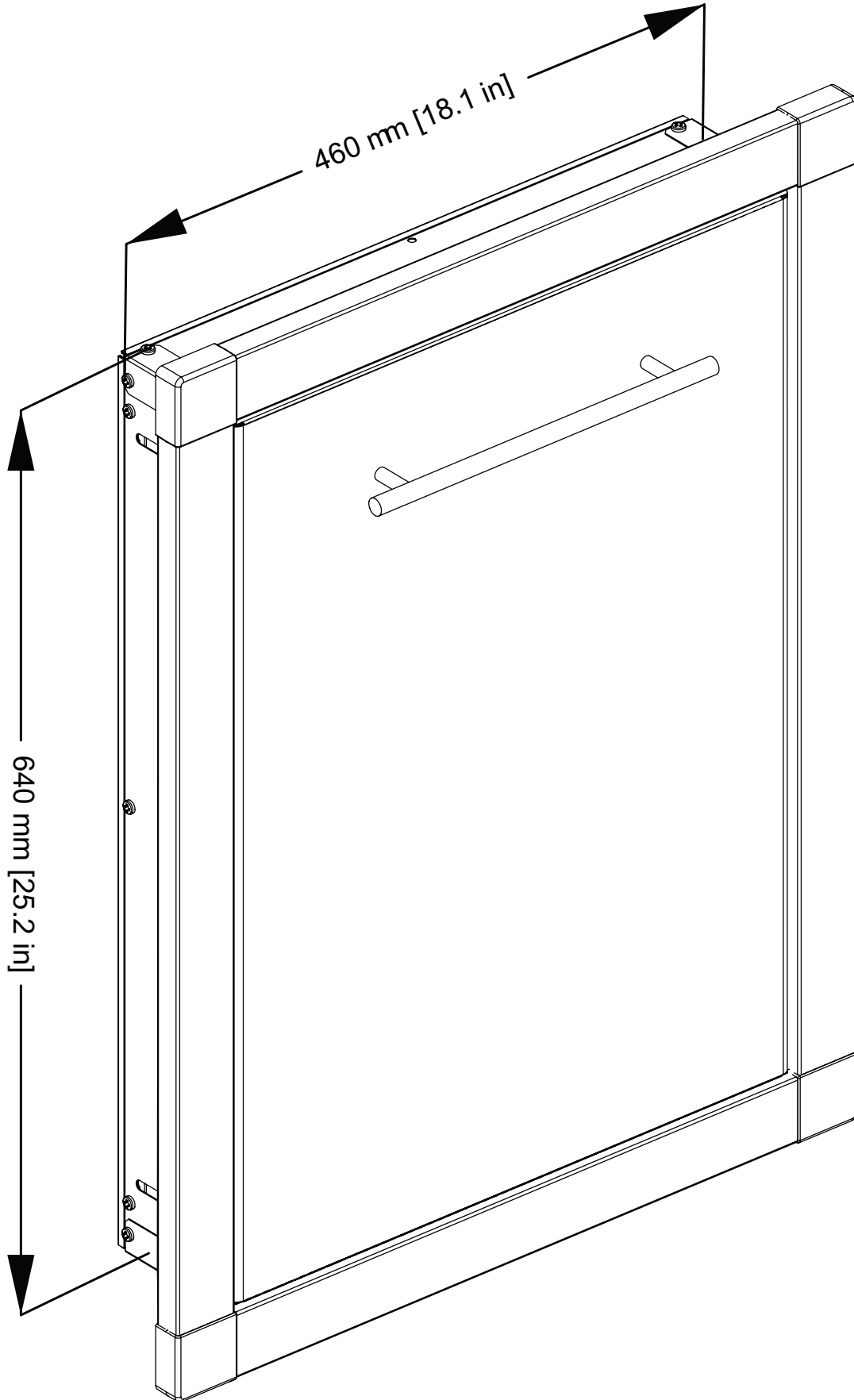
70084-E21 REV A 10/21

1

(2)



2



PARTS LIST / LISTE DES PIÈCES

KEY #	ITEM #	DESCRIPTION	DESCRIPTION	800100
16	77030-003	CORNER BRACKET	SUPPORT DE COIN	4
17	77039-303	DOOR BRACKET - TOP / BOTTOM	SUPPORT - HAUT / BAS	2
18	77139-003R	DOOR BRACKET - SIDE	SUPPORT - CÔTÉ	2
19	71276-013	DOOR FRAME - TOP / BOTTOM	CADRE - HAUT / BAS	2
20	71179-013	DOOR FRAME - SIDE	CADRE - CÔTÉ	2
22	Y-12130	CORNER CAP	BOUCHON DE COIN	4
23	Y-29301	SCREW #10-24 X 1/2	VIS #10-24 X 1/2	8
24	71049-901	DOOR GASKET	JOINT DE PORTE	4
27	21171-23	HANDLE	POIGNEE	2
28	71071-203A	DOOR ASSEMBLY	PORTE	4
31	Y-11567	SCREW M6 X 1.0	VIS M6 X 1.0	2
32	Y-29304S	SCREW #10-24 X 3/8	VIS #10-24 X 3/8	28
33	S21127S	SCREW #8-32 X 7/16	VIS #8-32 X 7/16	8
36	76079-90	HINGE	CHARNIÈRE	2

